



BCS Motor mowers, BCS 2-wheel tractors

630 MAX

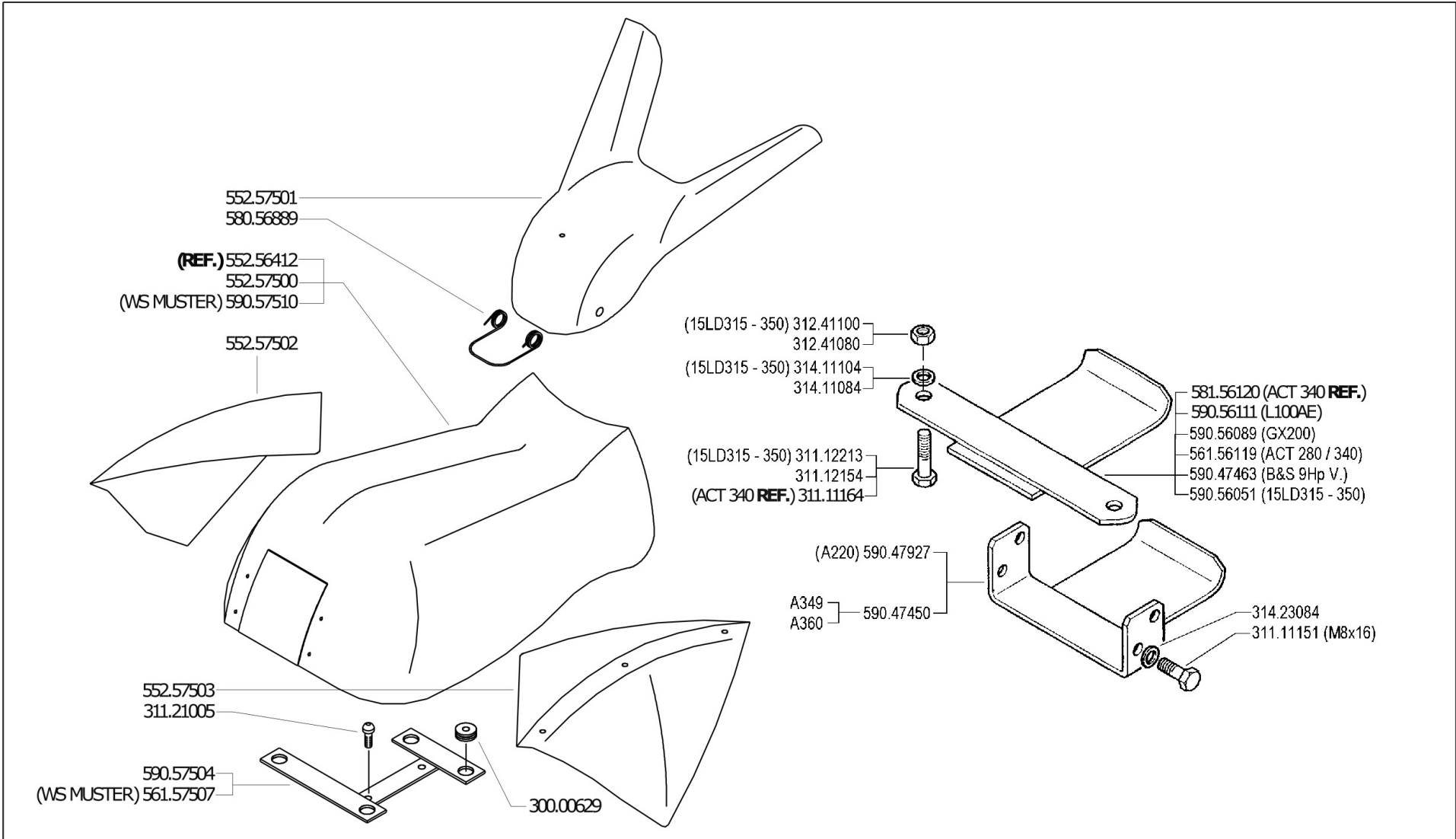
01/09/2021

A60004 - 630 MAX.....	4
C02_0_48457 - BODY.....	7
C02_1_68561 - BODY.....	9
C02_2_99907 - BODY.....	11
C02_3_124709 - BODY.....	13
C02_4_141396 - BODY.....	16
D01_0_48486 - CLUTCH.....	19
D01_1_60103 - CLUTCH.....	21
D01_2_68590 - CLUTCH.....	23
D01_3_99994 - CLUTCH.....	25
D01_4_124744 - CLUTCH.....	27
D.01.02.A0019_05 - CLUTCH.....	29
D.01.02.A0019_06 - CLUTCH.....	31
D.01.02.A0051_07 - CLUTCH.....	33
E02_0_48548 - GEARBOX.....	35
E02_1_71669 - GEARBOX.....	38
E02_2_141477 - GEARBOX.....	41
F03_0_48685 - GEARS.....	44
F03_1_71705 - GEARS.....	47
F03_2_142549 - GEARS.....	50
F.03.02.A0019_03 - GEARS (620M-630M-630WSM).....	53
F.03.02.A0019_04 - GEARS (620M-630M-630WSM).....	56
G01_0_48726 - WHEEL AXLE.....	59
F.03.02.A0019_05 - GEARS (620M-630M-630WSM).....	61
G02_0_48741 - DIFFERENTIAL.....	64
G02_1_100063 - DIFFERENTIAL.....	66
G02_2_142592 - DIFFERENTIAL.....	69
H02_0_48882 - STEERING COLUMN.....	71
H02_1_114886 - STEERING COLUMN.....	74



H02_2_141810 - STEERING COLUMN.....	77
I03_0_49043 - HANDLEBAR.....	80
I03_1_51910 - HANDLEBAR (630M).....	83
I03_2_66041 - HANDLEBAR (630M).....	86
I03_3_124821 - HANDLEBAR (630M).....	89
I03_4_142023 - HANDLEBAR.....	92
J02_0_49228 - CONTROLS.....	95
J02_1_71787 - CONTROLS.....	97
J02_2_142213 - CONTROLS.....	100
J.02.02.A0019_03 - J02_03 - CONTROLS.....	103
J05_0_142286 - HANDLEBARCONTROLS.....	106
K01_1_142487 - BRAKES.....	108
L01_0_49309 - WHEELS.....	110
L01_1_60132 - WHEELS.....	113
L01_2_100224 - WHEELS.....	116
M01_1_71870 - STICKERS.....	119
L01_3_142628 - WHEELS.....	121
M01_2_115232 - STICKERS.....	124
M01_0_49361 - STICKERS.....	126
M01_3_150907 - STICKERS.....	128
M.01.02.A0019_04 - STICKERS.....	130
M02_0_49377 - STICKERS.....	132
M02_1_71887 - STICKERS.....	134
M02_2_115061 - STICKERS.....	136
M02_3_150939 - STICKERS.....	138



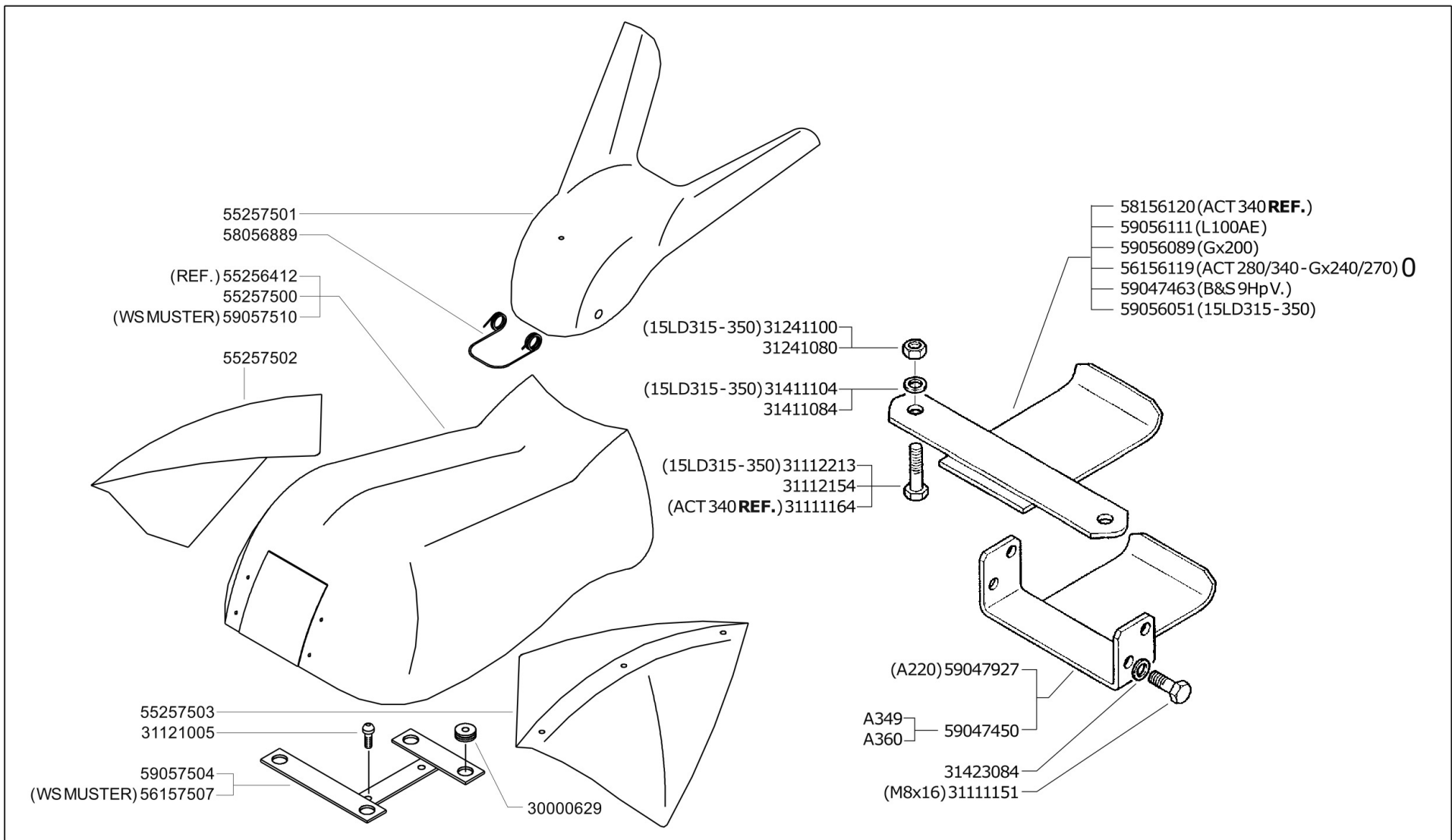


	600 serie MAX	CARROZZERIA (620M - 630M - 630WS MAX - WS MUSTER)		DALLA MACCHINA DE LA MAQUINA DE LA MACHINE FROM THE MACHINE AB DER MASCHINE	Rev. 0
		BODY CARROCIERÍA	CAROSSERIE KAROSSERIE		



Pos.	Id	Q.ty	Description	Note
30000629	30000629	1	CABLE GLAND 80/110/30	
31111151	31111151	1	SCREW TE M8X16 UNI 5739 8G	
31111164	31111164	1	SCREW TE M8X90 UNI 5737 8G	
31112154	31112154	1	SCREW TE M8X40 UNI 5739 8G	
31112213	31112213	1	SCREW TE M10X40 UNI 5739	
31121005	31121005	1	SCREW TBCEI FLANG. M6X25	
31241080	31241080	1	HEXAGON SELFLOCK NUT M8	
31241100	31241100	1	SELFLOCK HEXAGON NUT M10	
31411084	31411084	1	WASHER 8,4x17	
31411104	31411104	1	WASHER 10,5x18	
31423084	31423084	1	SPRING WASHER 8,4	
55256412	55256412	1	BODYWORK	
55257500	55257500	1	BODYWORK	
55257501	55257501	1	SMALL COVER	
55257502	55257502	1	FIN	
55257503	55257503	1	FIN	
56156119	56156119	1	SHIELD	
56157507	56157507	1	HOLDER	
58056889	58056889	1	RETAINING SPRING	
58156120	58156120	1	CONT.ACT340 REFORM 800.009.124	
59047450	59047450	1	SHIELD	
59047463	59047463	1	ENGINE PROTECTION	
59047927	59047927	1	SHIELD	
59056051	59056051	1	SHIELD	
59056089	59056089	1	SHIELD	
59056111	59056111	1	SHIELD	
59057504	59057504	1	HOLDER	
59057510	59057510	1	BODYWORK	



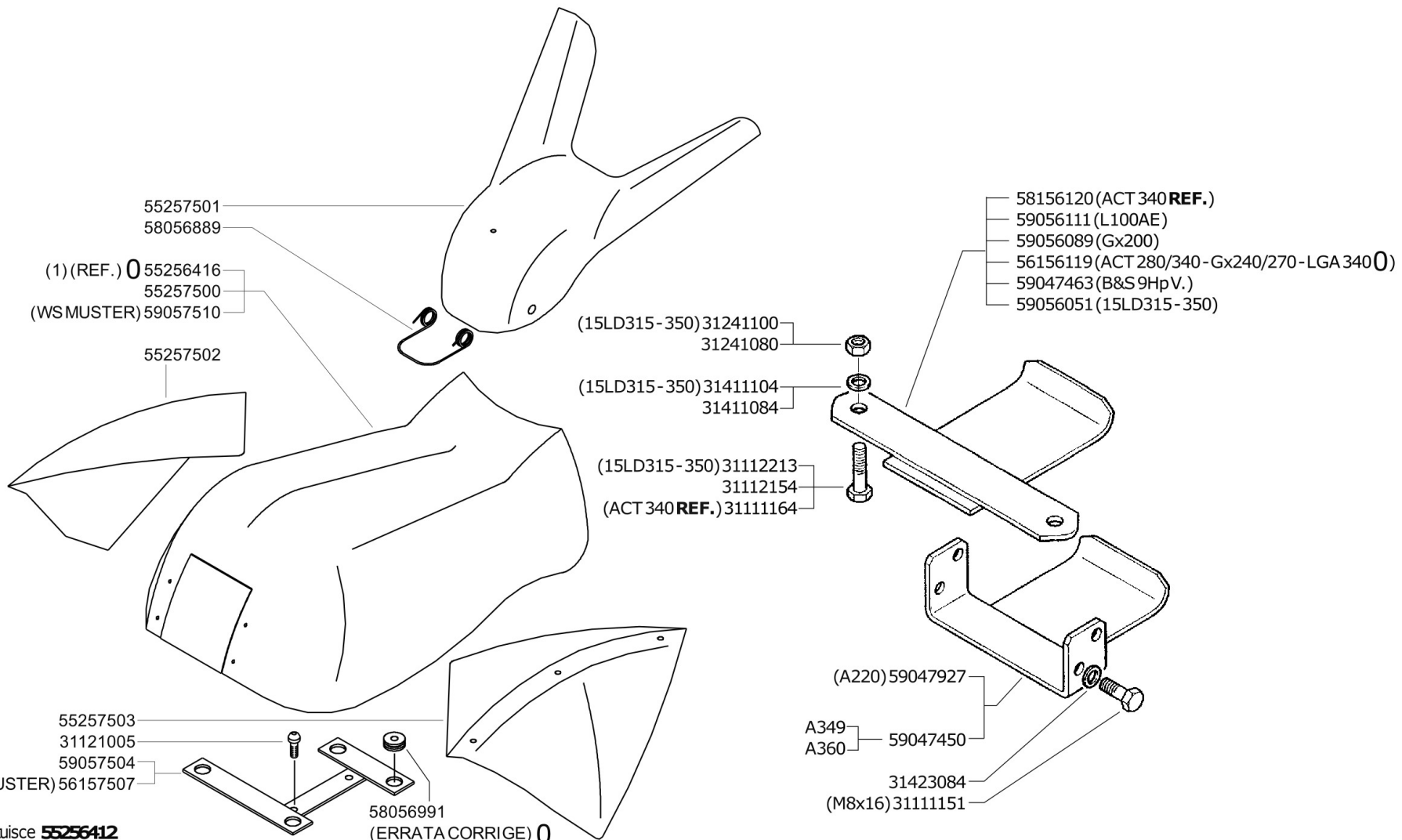


	600 serie MAX	CARROZZERIA (620M-630M-630WS MAX - WS MUSTER)		DALLA MACCHINA DE LA MAQUINA DE LA MACHINE FROM THE MACHINE AB DER MASCHINE ON.	AGGIORNAMENTO	C02	Rev.
		BODY CARROCEÍA	CAROSSERIE KAROSSERIE		REVISION		1
				MISE A JOUR		07/2006	
				APLAZAMIENTO			
				ANPASSUNG			



Pos.	Id	Q.ty	Description	Note
30000629	30000629	1	CABLE GLAND 80/110/30	
31111151	31111151	1	SCREW TE M8X16 UNI 5739 8G	
31111164	31111164	1	SCREW TE M8X90 UNI 5737 8G	
31112154	31112154	1	SCREW TE M8X40 UNI 5739 8G	
31112213	31112213	1	SCREW TE M10X40 UNI 5739	
31121005	31121005	1	SCREW TBCEI FLANG. M6X25	
31241080	31241080	1	HEXAGON SELFLOCK NUT M8	
31241100	31241100	1	SELFLOCK HEXAGON NUT M10	
31411084	31411084	1	WASHER 8,4x17	
31411104	31411104	1	WASHER 10,5x18	
31423084	31423084	1	SPRING WASHER 8,4	
55256412	55256412	1	BODYWORK	
55257500	55257500	1	BODYWORK	
55257501	55257501	1	SMALL COVER	
55257502	55257502	1	FIN	
55257503	55257503	1	FIN	
56156119	56156119	1	SHIELD	
56157507	56157507	1	HOLDER	
58056889	58056889	1	RETAINING SPRING	
58156120	58156120	1	CONT.ACT340 REFORM 800.009.124	
59047450	59047450	1	SHIELD	
59047463	59047463	1	ENGINE PROTECTION	
59047927	59047927	1	SHIELD	
59056051	59056051	1	SHIELD	
59056089	59056089	1	SHIELD	
59056111	59056111	1	SHIELD	
59057504	59057504	1	HOLDER	
59057510	59057510	1	BODYWORK	





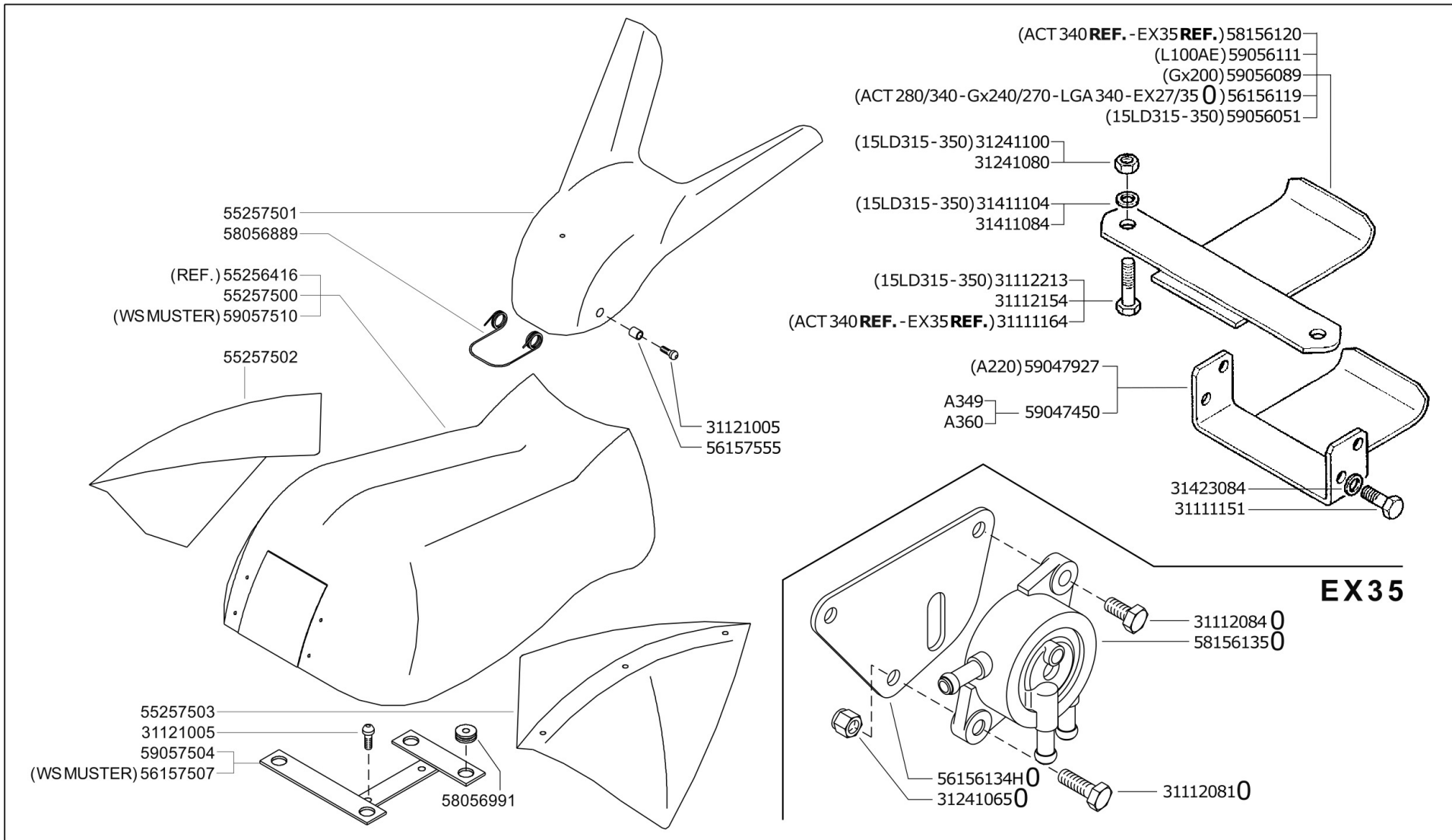
(1) sostituisce **55256412**

BCS	600 serie MAX	CARROZZERIA (620M-630M-630WS MAX - WS MUSTER)		DALLA MACCHINA DE LA MAQUINA DE LA MACHINE FROM THE MACHINE AB DER MASCHINE ON.	AGGIORNAMENTO	C02	Rev.
		BODY CARROCEÍA	CARROSSERIE KAROSSERIE		REVISION		2
				MISE A JOUR			
				APLAZAMIENTO			
				ANPASSUNG		01/2009	



Pos.	Id	Q.ty	Description	Note
31111151	31111151	1	SCREW TE M8X16 UNI 5739 8G	
31111164	31111164	1	SCREW TE M8X90 UNI 5737 8G	
31112154	31112154	1	SCREW TE M8X40 UNI 5739 8G	
31112213	31112213	1	SCREW TE M10X40 UNI 5739	
31121005	31121005	1	SCREW TBCEI FLANG. M6X25	
31241080	31241080	1	HEXAGON SELFLOCK NUT M8	
31241100	31241100	1	SELFLOCK HEXAGON NUT M10	
31411084	31411084	1	WASHER 8,4x17	
31411104	31411104	1	WASHER 10,5x18	
31423084	31423084	1	SPRING WASHER 8,4	
55256416	55256416	1	BODYWORK	
55257500	55257500	1	BODYWORK	
55257501	55257501	1	SMALL COVER	
55257502	55257502	1	FIN	
55257503	55257503	1	FIN	
56156119	56156119	1	SHIELD	
56157507	56157507	1	HOLDER	
58056889	58056889	1	RETAINING SPRING	
58056991	58056991	1	CABLE GLAND 90/200/30	
58156120	58156120	1	CONT.ACT340 REFORM 800.009.124	
59047450	59047450	1	SHIELD	
59047463	59047463	1	ENGINE PROTECTION	
59047927	59047927	1	SHIELD	
59056051	59056051	1	SHIELD	
59056089	59056089	1	SHIELD	
59056111	59056111	1	SHIELD	
59057504	59057504	1	HOLDER	
59057510	59057510	1	BODYWORK	





BCS	600 serie MAX	CARROZZERIA (620M - 630M - 630WS MAX - WS MUSTER)		DALLA MACCHINA DE LA MAQUINA DE LA MACHINE FROM THE MACHINE AB DER MASCHINE ON.	AGGIORNAMENTO	C02	Rev.
		BODY CARROCEÍA	CARROSSERIE KAROSSERIE		REVISION		3
					MISE A JOUR		
					APLAZAMIENTO		
					ANPASSUNG	03/2010	3

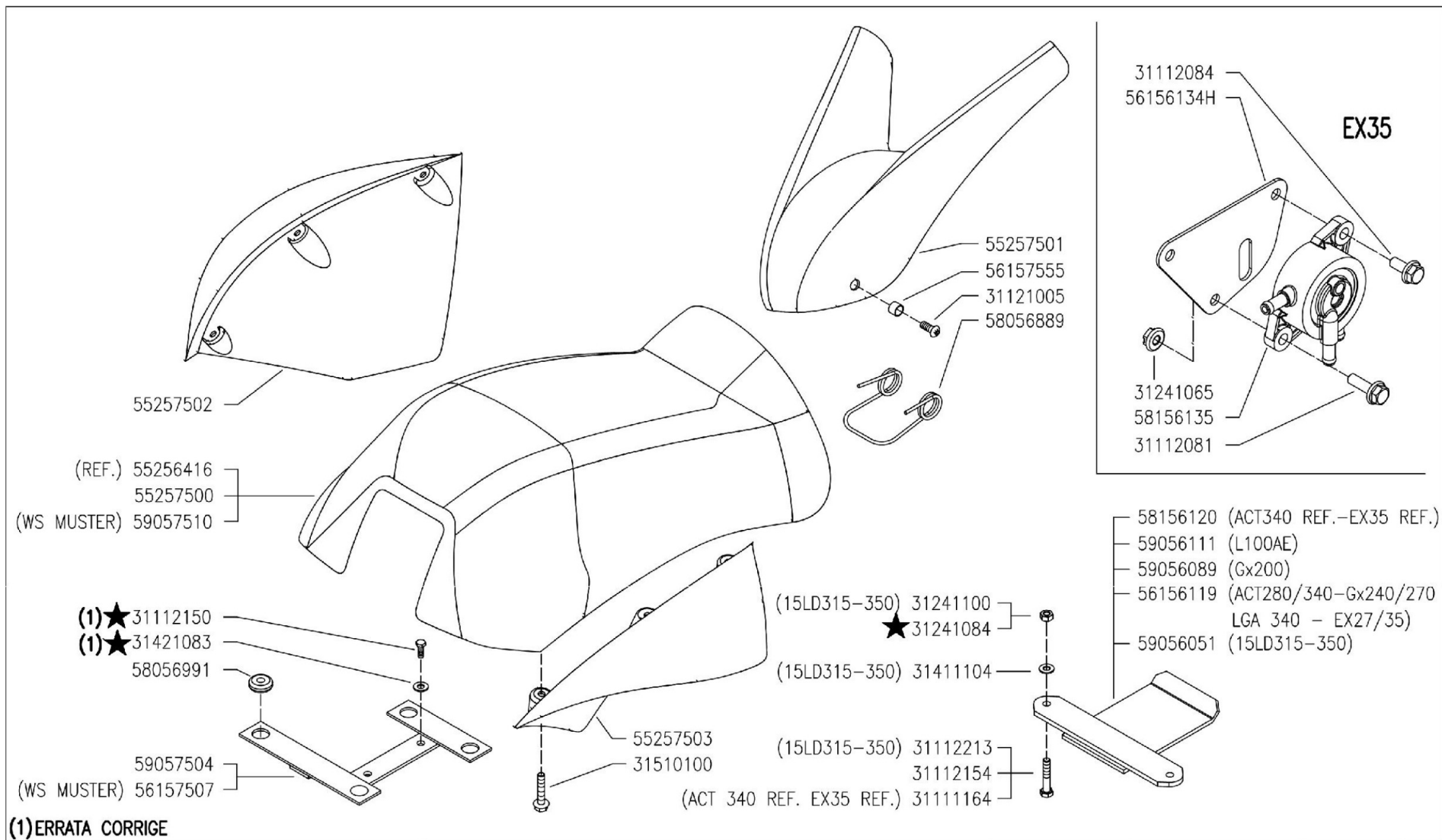


Pos.	Id	Q.ty	Description	Note
31111151	31111151	1	SCREW TE M8X16 UNI 5739 8G	
31111164	31111164	1	SCREW TE M8X90 UNI 5737 8G	
31112081	31112081	1	SCREW TE C/F M6X20 DIN 6921 8G	
31112084	31112084	1	SCREW TE C/F M6X14 DIN 6921 8G	
31112154	31112154	1	SCREW TE M8X40 UNI 5739 8G	
31112213	31112213	1	SCREW TE M10X40 UNI 5739	
31121005	31121005	1	SCREW TBCEI FLANG. M6X25	
31241065	31241065	1	SELFLOCK NUT M6	
31241080	31241080	1	HEXAGON SELFLOCK NUT M8	
31241100	31241100	1	SELFLOCK HEXAGON NUT M10	
31411084	31411084	1	WASHER 8,4x17	
31411104	31411104	1	WASHER 10,5x18	
31423084	31423084	1	SPRING WASHER 8,4	
55256416	55256416	1	BODYWORK	
55257500	55257500	1	BODYWORK	
55257501	55257501	1	SMALL COVER	
55257502	55257502	1	FIN	
55257503	55257503	1	FIN	
56156119	56156119	1	SHIELD	
56157507	56157507	1	HOLDER	
56157555	56157555	1	TUBE	
58056889	58056889	1	RETAINING SPRING	
58056991	58056991	1	CABLE GLAND 90/200/30	
58156120	58156120	1	CONT.ACT340 REFORM 800.009.124	
58156135	58156135	1	PUMP	
59047450	59047450	1	SHIELD	
59047463	59047463	1	ENGINE PROTECTION	
59047927	59047927	1	SHIELD	
59056051	59056051	1	SHIELD	



Pos.	Id	Q.ty	Description	Note
59056089	59056089	1	SHIELD	
59056111	59056111	1	SHIELD	
59057504	59057504	1	HOLDER	
59057510	59057510	1	BODYWORK	
56156134H	56156134H	1	CONNECTION	





	600 serie MAX	CARROZZERIA (620M-630M-630WS MAX-WS MUSTER) BODY CARROZERÍA CARROSSERIE KAROSSERIE	DALLA MACCHINA DE LA MAQUINA FROM THE MACHINE AB DER MASCHINE	AGGIORNAMENTO REVISION MISE A JOUR APLAZAMIENTO ANPASSUNG	C02 09/2010	Rev. 4
			★ N.			

JITEBCS - Scala 1:6



Pos.	Id	Q.ty	Description	Note
31111151	31111151	1	SCREW TE M8X16 UNI 5739 8G	
31111164	31111164	1	SCREW TE M8X90 UNI 5737 8G	
31112081	31112081	1	SCREW TE C/F M6X20 DIN 6921 8G	
31112084	31112084	1	SCREW TE C/F M6X14 DIN 6921 8G	
31112150	31112150	1	SCREW TE M8X20 UNI 5739 8G	
31112154	31112154	1	SCREW TE M8X40 UNI 5739 8G	
31112213	31112213	1	SCREW TE M10X40 UNI 5739	
31241065	31241065	1	SELFLOCK NUT M6	
31241084	31241084	1	SELFLOCK NUT M8 6S	
31241100	31241100	1	SELFLOCK HEXAGON NUT M10	
31411084	31411084	1	WASHER 8,4x17	
31411104	31411104	1	WASHER 10,5x18	
31421083	31421083	1	WASHER	
31423084	31423084	1	SPRING WASHER 8,4	
55256416	55256416	1	BODYWORK	
55257500	55257500	1	BODYWORK	
55257501	55257501	1	SMALL COVER	
55257502	55257502	1	FIN	
55257503	55257503	1	FIN	
56156119	56156119	1	SHIELD	
56157507	56157507	1	HOLDER	
56157555	56157555	1	TUBE	
58056889	58056889	1	RETAINING SPRING	
58056991	58056991	1	CABLE GLAND 90/200/30	
58156120	58156120	1	CONT.ACT340 REFORM 800.009.124	
58156135	58156135	1	PUMP	
59047450	59047450	1	SHIELD	
59047463	59047463	1	ENGINE PROTECTION	
59047927	59047927	1	SHIELD	



Pos.	Id	Q.ty	Description	Note
59056051	59056051	1	SHIELD	
59056089	59056089	1	SHIELD	
59056111	59056111	1	SHIELD	
59057504	59057504	1	HOLDER	
59057510	59057510	1	BODYWORK	
56156134H	56156134H	1	CONNECTION	



HONDA G150 - Gx 120/160/200 311.00003
 HONDA Gx390-Gx340- B&S VANGUARD (3/8x1") 311.00015

HONDA Gx390-Gx340- B&S VANGUARD 314.23105

HONDA G150 - Gx 120/160/200 532.47488
 B&S VANG. - HONDA Gx390-Gx340 531.56150

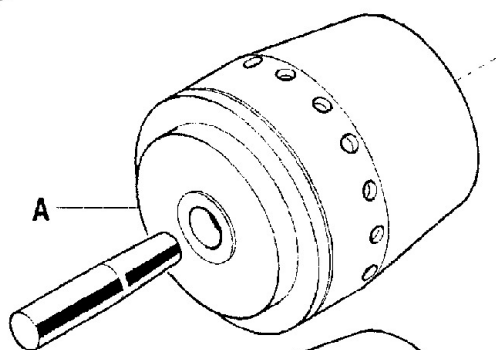
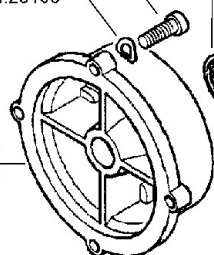
371.12231 HONDA G150 - Gx 120/160/200
 371.12233 (30x55x13) B&S VANGUARD - HONDA Gx 390 - Gx340

563.47484 B&S VANGUARD - HONDA Gx 390 - Gx340
 563.56251 HONDA G150 - Gx 120/160/200

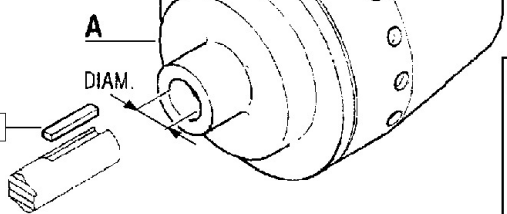
312.11080
 314.23084

313.12088 (M8x40)
 313.12083 (M8x46) (15LD315/350 - ACT 280/340 - L100AE)

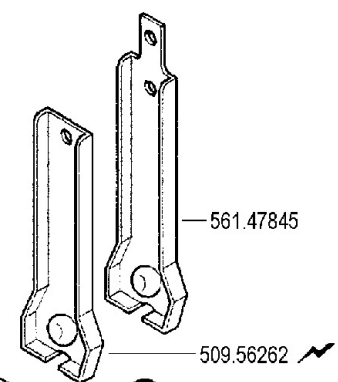
MOTORE ENGINE MOTEUR MOTOR MOTOR	FRIZIONE EMBRAYAGE KUPPLUNG CLUTCH
Acme A220	592.47884
Acme A220 (REF.)	592.56255
Acme ACT 280 - A349 - A360	592.47884
Acme ACT 340	592.47971
Briggs & Stratton 9 Hp Vanguard	592.56253
Honda Gx 390-Gx340	592.56257
Honda G150 - Gx 120 / 160 / 200	592.56265
Lombardini 15LD315 / 350	592.47884
Lombardini 6LD435 / 400	592.47971
Yanmar L100AE	592.47971



(B) 312.11080
 (B) (M8x30) 311.00786

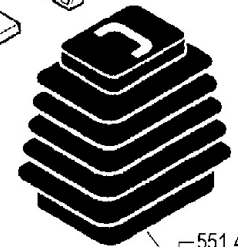


(HONDA Gx 390-Gx340-B&S VANGUARD) 563.49782
 (HONDA G150 - Gx120/160/200) 563.56165



561.47845

509.56262



551.47842

551.57609

524.47896
 371.12173 (17x40x12)



NON SMONTARE MAI LA FRIZIONE
NEVER DISASSEMBLE THE CLUTCH
NE DEMONTER JAMAIS L'EMBRAYAGE
NIEMALS DIE KUPPLUNG AUSBAUEN
NO DESMONTAR JAMAS EL EMBRAGUE

peso a 2 Kg



600 serie MAX

FRIZIONE A CONO AUTOVENTILANTE

CLUTCH
 EMBRAGUE

EMBRAYAGE
 KUPPLUNG

DALLA MACCHINA
 DE LA MAQUINA
 DE LA MACHINE
 FROM THE MACHINE
 AB DER MASCHINE

N.

Rev. **D01** **0**

09/2004



BCS Motor mowers, BCS 2-wheel tractors - 630 MAX
D01_0_48486 - CLUTCH

Pos.	Id	Q.ty	Description	Note
31100003	31100003	1	SCREW TE 5/16X7/8	
31100015	31100015	1	SCREW TE 3/8X1	
31100786	31100786	1	SCREW STEI M8X30 UNI5923 8G G RZ	
31211080	31211080	1	NUT M8	
31312083	31312083	1	STUD BOLT M8X46X16X16	
31312088	31312088	1	STUD BOLT M8X40X14X14	
31423084	31423084	1	SPRING WASHER 8,4	
31423105	31423105	1	SPRING WASHER 10,5	
37112173	37112173	1	BEARING 6203 DDU7C3EX26 NSK	
37112231	37112231	1	BEARING 6204-2RS1 C3 SKF	
37112233	37112233	1	BEARING 6006-2RS1 C3 SKF	
50956262	50956262	1	CLUTCH LEVER	
52447896	52447896	1	PRESSURE PLATE	
53156150	53156150	1	ENGINE FLANGE B&S 8HP I/P	
53247488	53247488	1	ENGINE FLANGE H=21	
55147842	55147842	1	BELLOWS	
55157609	55157609	1	BELLOWS	
56147845	56147845	1	CLUTCH LEVER	
56347484	56347484	1	SHIM	
56349782	56349782	1	DOWEL	
56356165	56356165	1	DOWEL	
56356251	56356251	1	SHIM D=19,6	
59247884	59247884	1	CLUTCH ASSY	
59247971	59247971	1	CLUTCH	
59256253	59256253	1	CLUTCH ASSY	
59256255	59256255	1	CLUTCH ASSY	
59256257	59256257	1	CLUTCH ASSY	
59256265	59256265	1	CLUTCH ASSY	



HONDAG150 - Gx 120/160/200 31100003
 HONDAGx390 - Gx340 - Gx240/270 - B&SVANG. (3/8x1") 31100015
 HONDAGx390 - Gx340 - Gx240/270 - B&SVANG. 31423105

HONDAG150 - Gx120/160/200 53247488
 B&SVANG. - HONDAGx390 - Gx340 - Gx240/270 53156150

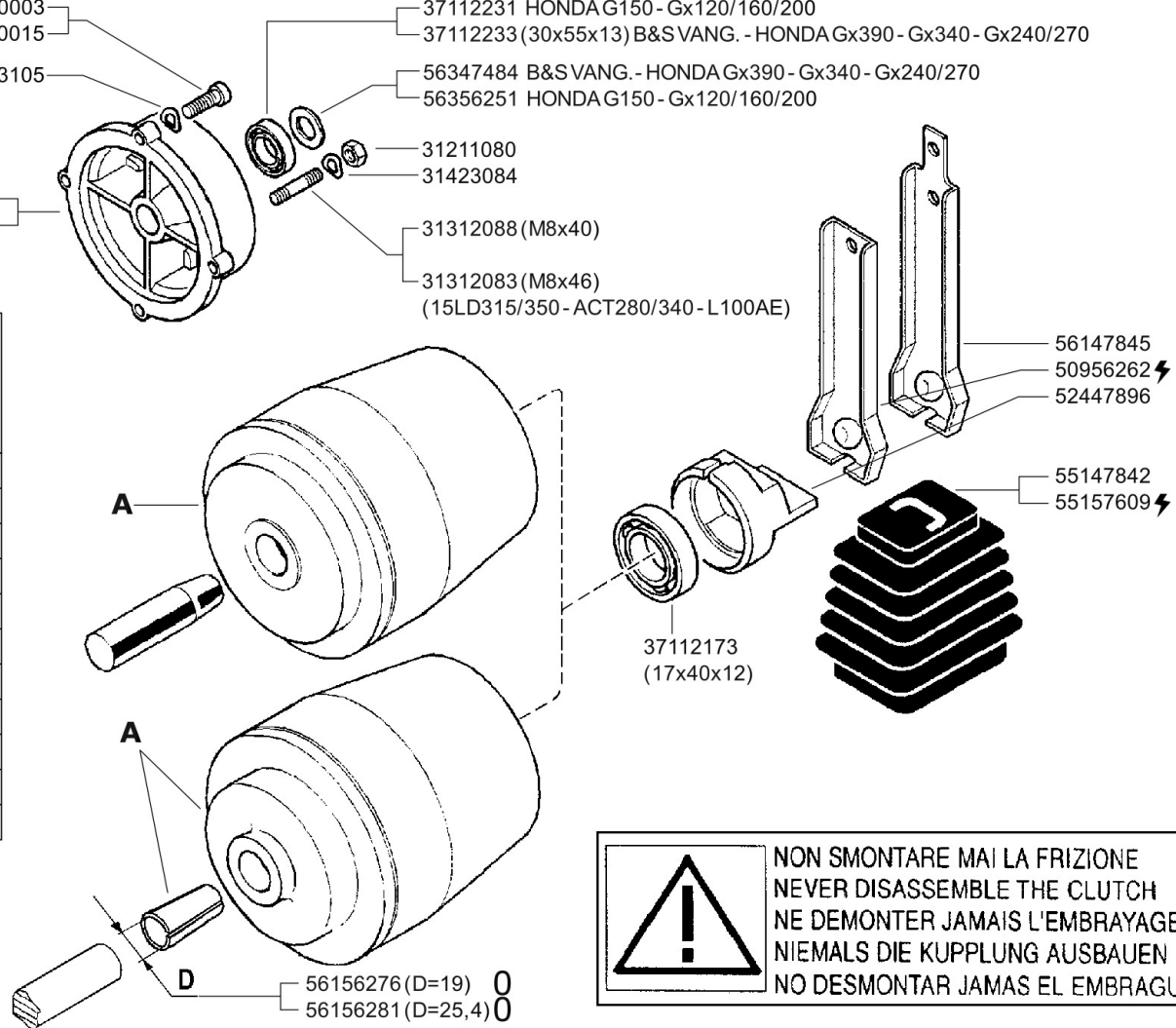
37112231 HONDAG150 - Gx120/160/200
 37112233 (30x55x13) B&SVANG. - HONDAGx390 - Gx340 - Gx240/270
 56347484 B&SVANG. - HONDAGx390 - Gx340 - Gx240/270
 56356251 HONDAG150 - Gx120/160/200

31211080
 31423084
 31312088 (M8x40)
 31312083 (M8x46)
 (15LD315/350 - ACT280/340 - L100AE)

56147845
 50956262 ⚡
 52447896

55147842
 55157609 ⚡

MOTORE ENGINE MOTEUR MOTOR	FRIZIONE CLUTCH A EMBRAYAGE EMBRAGUE KUPPLUNG
Acme A220	59247884
Acme A220 (REF.)	59256255
Acme ACT 280 - A349 - A360	59247884
Acme ACT 340	59247971
Briggs & Stratton 9Hp Vanguard D=25,4	59256279 0(1)
Honda Gx 390 - Gx 340 D=25,4	59256280 0(2)
Honda Gx 240/270 D=25,4	59256279
Honda G150 - Gx120/160/200 D=19	59256275 0(3)
Lombardini 15LD315/350	59247884
Lombardini 6LD435/400	59247971
Yanmar L100AE	59247971



⚠ NON SMONTARE MAI LA FRIZIONE
 NEVER DISASSEMBLE THE CLUTCH
 NE DEMONTER JAMAIS L'EMBRAYAGE
 NIEMALS DIE KUPPLUNG AUSBAUEN
 NO DESMONTAR JAMAS EL EMBRAGUE

(3) sostituisce **59256265**
 (2) sostituisce **59256257**
 (1) sostituisce **59256253**

56156276 (D=19) 0
 56156281 (D=25,4) 0



600 serie MAX

FRIZIONE A CONO AUTOVENTILANTE

CLUTCH
EMBRAGUE

EMBAYAGE
KUPPLUNG

DALLA MACCHINA
DE LA MAQUINA
DE LA MACHINE
FROM THE MACHINE
AB DER MASCHINE

C HIEDERE A S.A.T.
 A S K T O S A.T.
 D E M A N D E R Á S.A.T.
 S O L I C I T A R E L S.A.T.
 A N F R A G E N D E R S.A.T.

ON.

Rev. **D01 1**

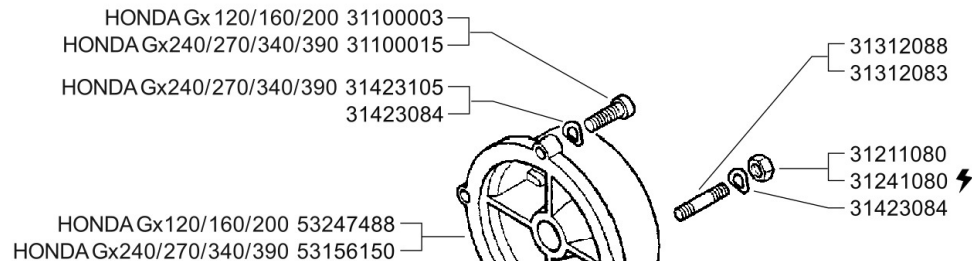
11/2006

2006

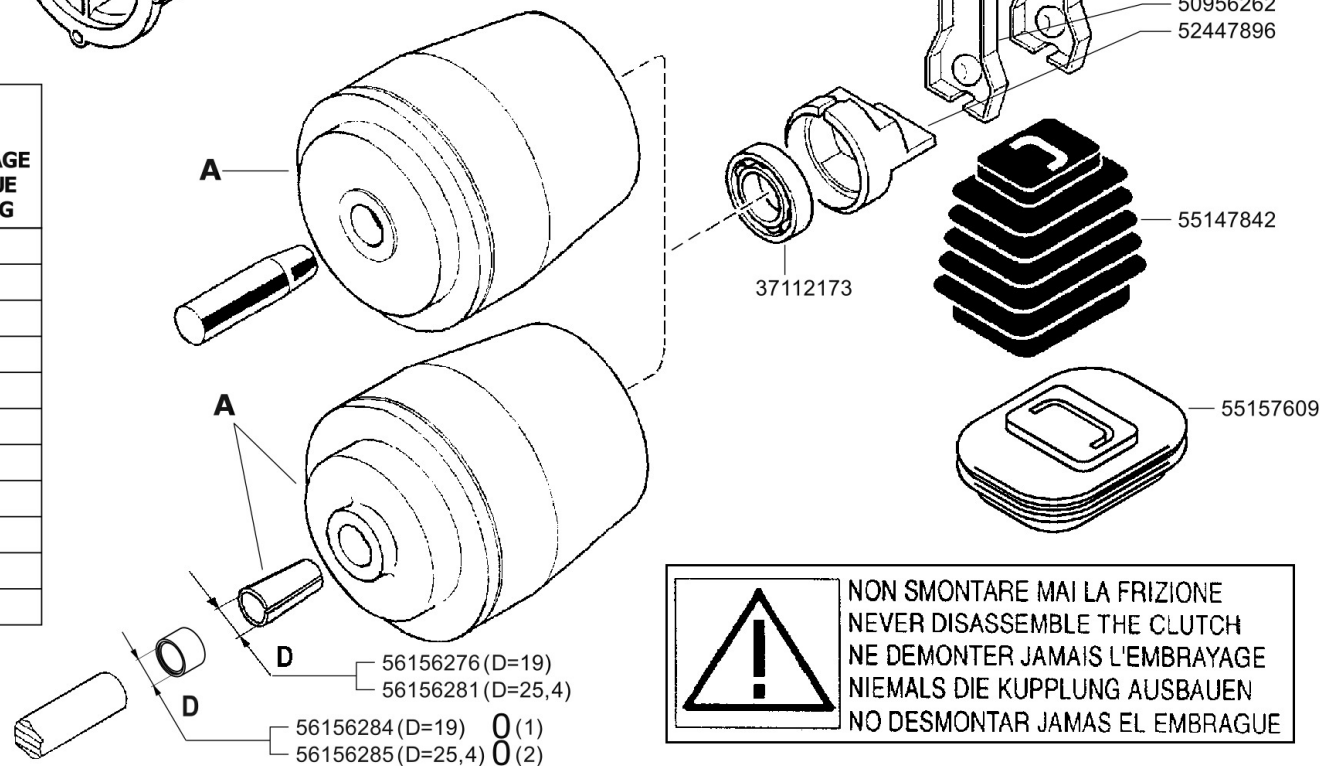


Pos.	Id	Q.ty	Description	Note
31100003	31100003	1	SCREW TE 5/16X7/8	
31100015	31100015	1	SCREW TE 3/8X1	
31211080	31211080	1	NUT M8	
31312083	31312083	1	STUD BOLT M8X46X16X16	
31312088	31312088	1	STUD BOLT M8X40X14X14	
31423084	31423084	1	SPRING WASHER 8,4	
31423105	31423105	1	SPRING WASHER 10,5	
37112173	37112173	1	BEARING 6203 DDU7C3EX26 NSK	
37112231	37112231	1	BEARING 6204-2RS1 C3 SKF	
37112233	37112233	1	BEARING 6006-2RS1 C3 SKF	
50956262	50956262	1	CLUTCH LEVER	
52447896	52447896	1	PRESSURE PLATE	
53156150	53156150	1	ENGINE FLANGE B&S 8HP I/P	
53247488	53247488	1	ENGINE FLANGE H=21	
55147842	55147842	1	BELLOWS	
55157609	55157609	1	BELLOWS	
56147845	56147845	1	CLUTCH LEVER	
56156276	56156276	1	SLEEVE D.19	
56156281	56156281	1	CENTRING BUSH D.25,4	
56347484	56347484	1	SHIM	
56356251	56356251	1	SHIM D=19,6	
59247884	59247884	1	CLUTCH ASSY	
59247971	59247971	1	CLUTCH	
59256255	59256255	1	CLUTCH ASSY	
59256275	59256275	1	CLUTCH ASSY	
59256279	59256279	1	CLUTCH ASSY	
59256280	59256280	1	CLUTCH ASSY	





MOTORE ENGINE MOTEUR MOTOR	FRIZIONE CLUTCH A EMBRAYAGE EMBRAGUE KUPPLUNG
Acme A220	59247884
Acme A220 (REF.)	59256255
Acme ACT 280 - A349 - A360	59247884
Acme ACT 340	59247971
Honda Gx 390 - Gx 340 D=25,4	59256280
Honda Gx 240/270 D=25,4	59256279
Honda Gx 120/160/200 D=19	59256275
Lombardini 15LD315/350	59247884
Lombardini 15LD500	59247924
Yanmar L100AE	59247971
Yanmar L70AE	59247884



! NON SMONTARE MAI LA FRIZIONE
NEVER DISASSEMBLE THE CLUTCH
NE DEMONTER JAMAIS L'EMBRAYAGE
NIEMALS DIE KUPPLUNG AUSBAUEN
NO DESMONTAR JAMAS EL EMBRAGUE



600 serie MAX

FRIZIONE A CONO AUTOVENTILANTE

CLUTCH
EMBRAGUE

EMBRYAGE
KUPPLUNG

DALLA MACCHINA
DE LA MAQUINA
DE LA MACHINE
FROM THE MACHINE
AB DER MASCHINE

ON.

(1) 779324
(2) 779519

D01 2

11/2006

Rev.

2

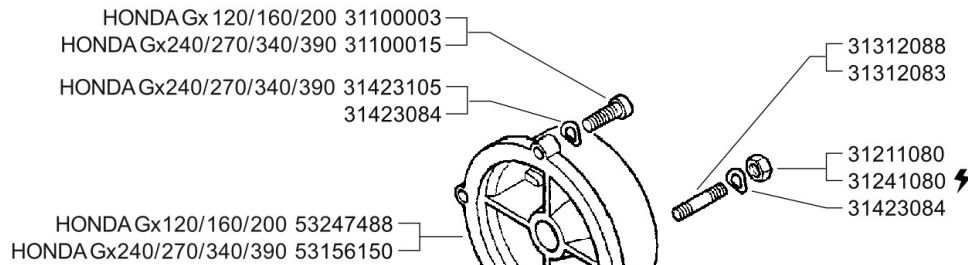
11/2006

2

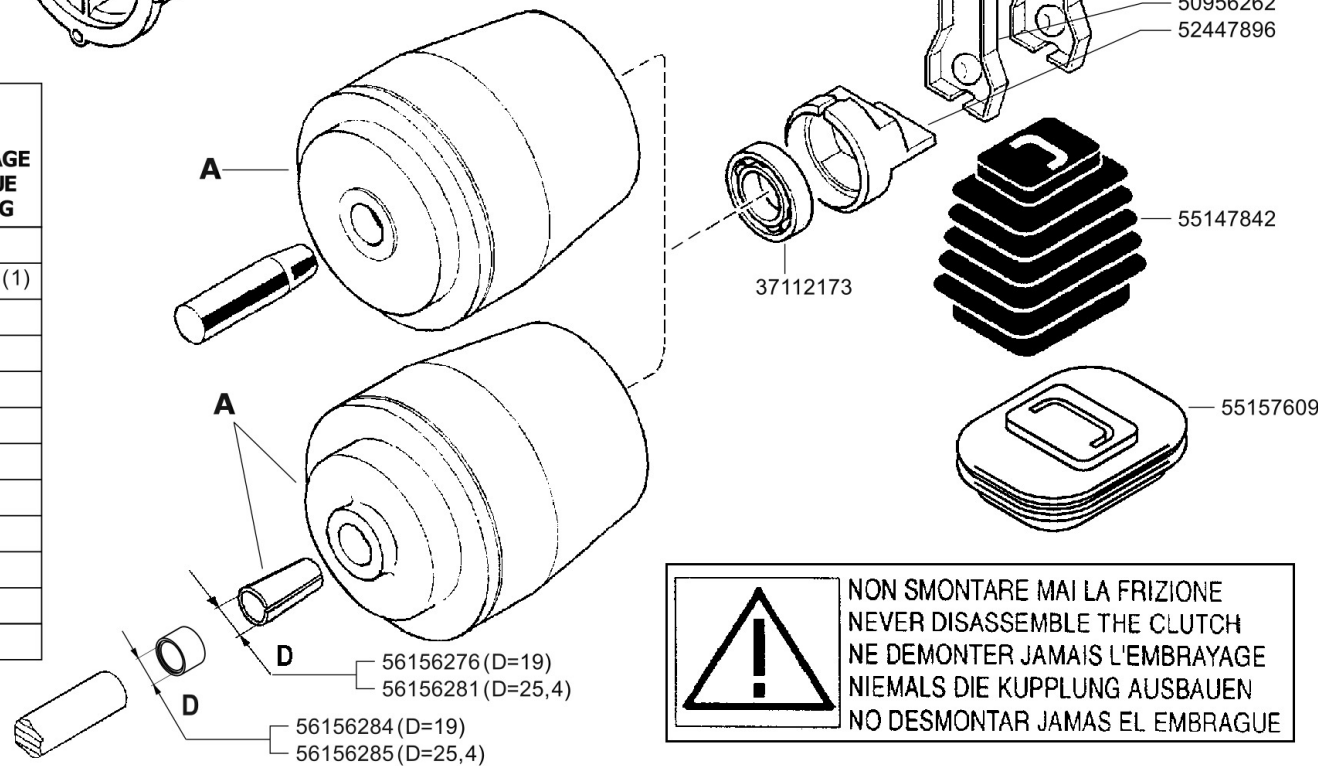


Pos.	Id	Q.ty	Description	Note
31100003	31100003	1	SCREW TE 5/16X7/8	
31100015	31100015	1	SCREW TE 3/8X1	
31211080	31211080	1	NUT M8	
31241080	31241080	1	HEXAGON SELFLOCK NUT M8	
31312083	31312083	1	STUD BOLT M8X46X16X16	
31312088	31312088	1	STUD BOLT M8X40X14X14	
31423084	31423084	1	SPRING WASHER 8,4	
31423105	31423105	1	SPRING WASHER 10,5	
37112173	37112173	1	BEARING 6203 DDU7C3EX26 NSK	
50956262	50956262	1	CLUTCH LEVER	
52447896	52447896	1	PRESSURE PLATE	
53156150	53156150	1	ENGINE FLANGE B&S 8HP I/P	
53247488	53247488	1	ENGINE FLANGE H=21	
55147842	55147842	1	BELLOWS	
55157609	55157609	1	BELLOWS	
56147845	56147845	1	CLUTCH LEVER	
56156276	56156276	1	SLEEVE D.19	
56156281	56156281	1	CENTRING BUSH D.25,4	
56156284	56156284	1	SPACER D19	
56156285	56156285	1	SPACER D25	
59247884	59247884	1	CLUTCH ASSY	
59247924	59247924	1	CLUTCH	
59247971	59247971	1	CLUTCH	
59256255	59256255	1	CLUTCH ASSY	
59256275	59256275	1	CLUTCH ASSY	
59256279	59256279	1	CLUTCH ASSY	
59256280	59256280	1	CLUTCH ASSY	





MOTORE ENGINE MOTEUR MOTOR	FRIZIONE CLUTCH EMBRAYAGE EMBRAGUE KUPPLUNG
Acme A220	59247884
Acme A220 (REF.)	59256295 (1)
Acme ACT280 - A349 - A360	59247884
Acme ACT340	59247971
Honda Gx390 - Gx340 D=25,4	59256280
Honda Gx240/270 D=25,4	59256279
Honda Gx120/160/200 D=19	59256275
Lombardini 15LD315/350	59247884
Lombardini 15LD500	59247924
Lombardini LGA340 (1)	59247971
Yanmar L100AE	59247971
Yanmar L70AE	59247884



⚠ NON SMONTARE MAI LA FRIZIONE
 NEVER DISASSEMBLE THE CLUTCH
 NE DEMONTER JAMAIS L'EMBRAYAGE
 NIEMALS DIE KUPPLUNG AUSBAUEN
 NO DESMONTAR JAMAS EL EMBRAGUE

(1) sostituisce **59256255**



600 serie MAX

FRIZIONE A CONO AUTOVENTILANTE

CLUTCH
EMBRAGUE

EMBRYAGE
KUPPLUNG

DALLA MACCHINA
DE LA MAQUINA
DE LA MACHINE
FROM THE MACHINE
AB DER MASCHINE

ON.

AGGIORNAMENTO
REVISION
MISE A JOUR
APLAZAMIENTO
ANPASSUNG

D01 3

01/2009

Rev.

3

01/2009



Pos.	Id	Q.ty	Description	Note
31100003	31100003	1	SCREW TE 5/16X7/8	
31100015	31100015	1	SCREW TE 3/8X1	
31211080	31211080	1	NUT M8	
31241080	31241080	1	HEXAGON SELFLOCK NUT M8	
31312083	31312083	1	STUD BOLT M8X46X16X16	
31312088	31312088	1	STUD BOLT M8X40X14X14	
31423084	31423084	1	SPRING WASHER 8,4	
31423105	31423105	1	SPRING WASHER 10,5	
37112173	37112173	1	BEARING 6203 DDU7C3EX26 NSK	
50956262	50956262	1	CLUTCH LEVER	
52447896	52447896	1	PRESSURE PLATE	
53156150	53156150	1	ENGINE FLANGE B&S 8HP I/P	
53247488	53247488	1	ENGINE FLANGE H=21	
55147842	55147842	1	BELLOWS	
55157609	55157609	1	BELLOWS	
56147845	56147845	1	CLUTCH LEVER	
56156276	56156276	1	SLEEVE D.19	
56156281	56156281	1	CENTRING BUSH D.25,4	
56156284	56156284	1	SPACER D19	
56156285	56156285	1	SPACER D25	
59247884	59247884	1	CLUTCH ASSY	
59247924	59247924	1	CLUTCH	
59247971	59247971	1	CLUTCH	
59256275	59256275	1	CLUTCH ASSY	
59256279	59256279	1	CLUTCH ASSY	
59256280	59256280	1	CLUTCH ASSY	
59256295	59256295	1	CLUTCH ASSY	

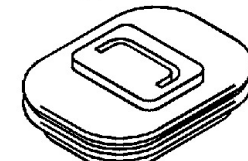
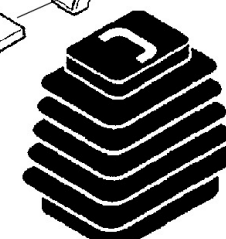
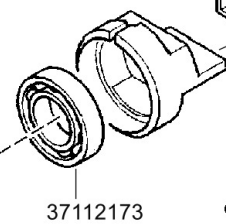
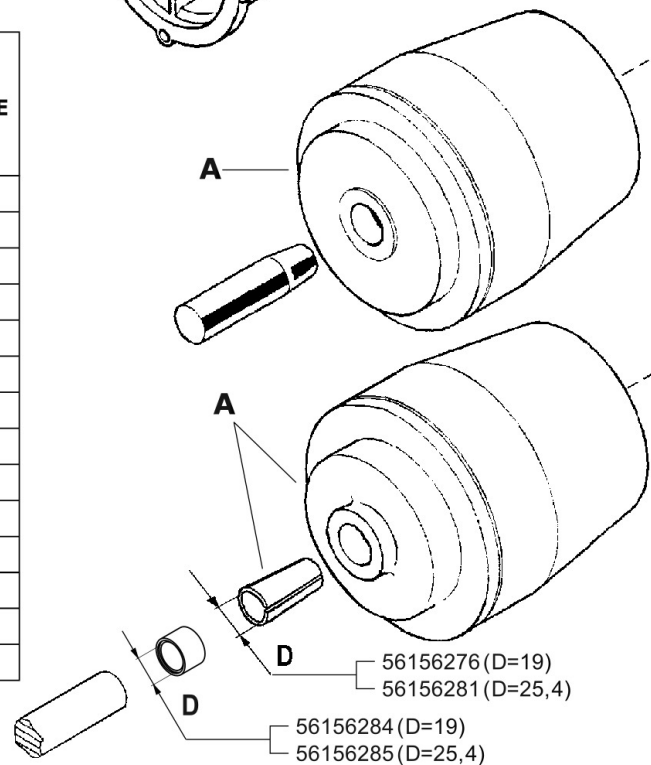



HONDA Gx 120/160/200 31100003
 SUBARU EX27/35 - HONDA Gx240/270/340/390 31100015
 31423084
 HONDA Gx240/270/340/390 } 31423105
 SUBARU EX27/35 }
 HONDA Gx120/160/200 53247488
 HONDA Gx240/270/340/390 } 53156150
 SUBARU EX27/35 }

31312088
 31312083
 31211080
 31241080 ⚡
 31423084

56147845
 50956262
 52447896

MOTORE ENGINE MOTEUR MOTOR	FRIZIONE CLUTCH A EMBRAYAGE EMBRAGUE KUPPLUNG
Acme A220	59247884
Acme A220 (REF.)	59256295
Acme ACT 280 - A349 - A360	59247884
Acme ACT 340	59247971
Honda Gx 390 - Gx 340 D=25,4	59256280
Honda Gx 240/ 270 D=25,4	59256279
Honda Gx120/ 160/ 200 D=19	59256275
Lombardini 15LD315/ 350	59247884
Lombardini 15LD500	59247924
Lombardini LGA340	59247971
Subaru EX27	59256279
Subaru EX35	59256280
Yanmar L100AE	59247971
Yanmar L70AE	59247884



 **NON SMONTARE MAI LA FRIZIONE
 NEVER DISASSEMBLE THE CLUTCH
 NE DEMONTER JAMAIS L'EMBRAYAGE
 NIEMALS DIE KUPPLUNG AUSBAUEN
 NO DESMONTAR JAMAS EL EMBRAGUE**



600 serie MAX

FRIZIONE A CONO AUTOVENTILANTE

CLUTCH
 EMBRAGUE

EMBRYAGE
 KUPPLUNG

DALLA MACCHINA
 DE LA MAQUINA
 DE LA MACHINE
 FROM THE MACHINE
 AB DER MASCHINE

ON.

AGGIORNAMENTO
 REVISION
 MISE A JOUR
 APLAZAMIENTO
 ANPASSUNG

D01

03/2010

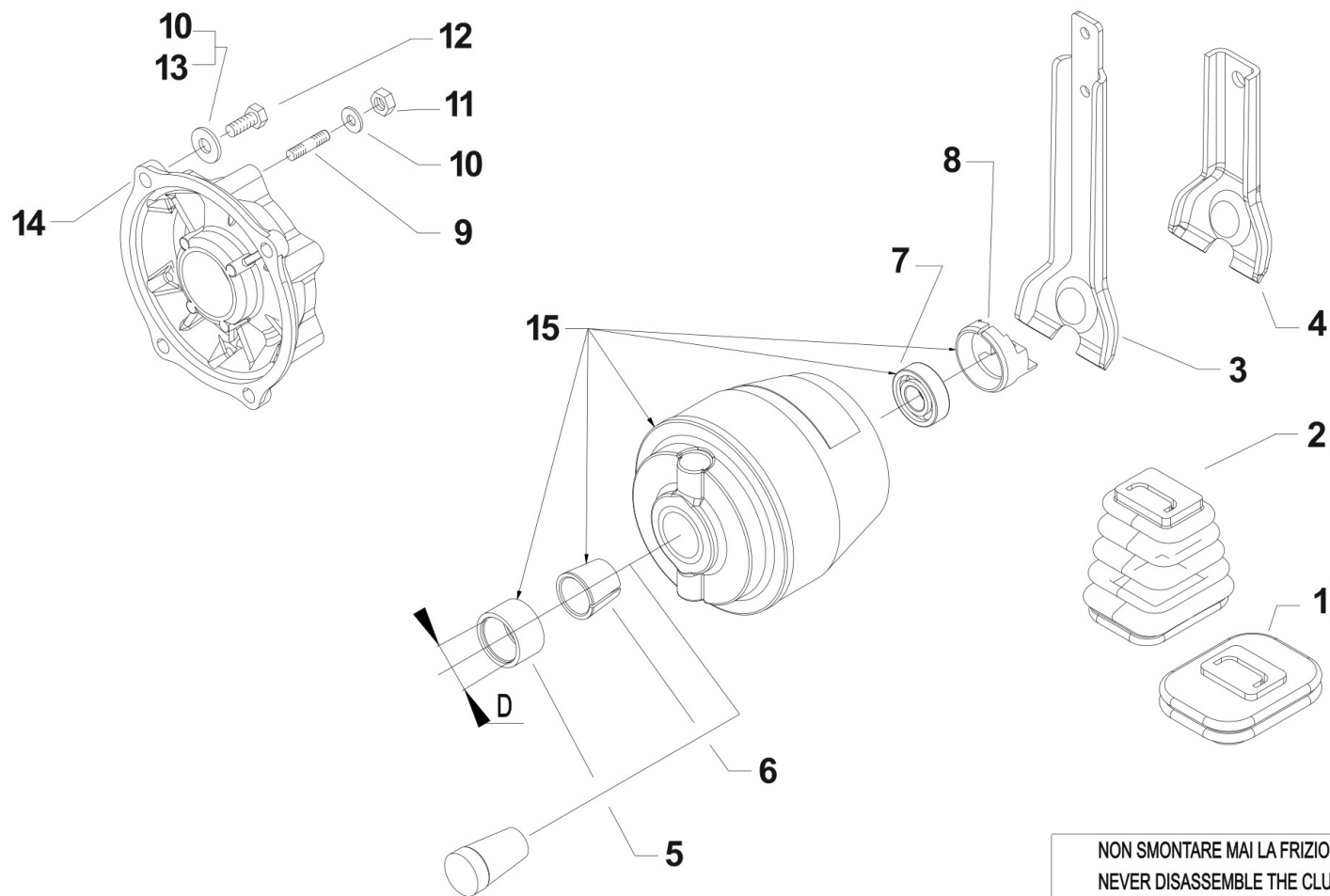
Rev. **4**

ZEN



Pos.	Id	Q.ty	Description	Note
31100003	31100003	1	SCREW TE 5/16X7/8	
31100015	31100015	1	SCREW TE 3/8X1	
31211080	31211080	1	NUT M8	
31241080	31241080	1	HEXAGON SELFLOCK NUT M8	
31312083	31312083	1	STUD BOLT M8X46X16X16	
31312088	31312088	1	STUD BOLT M8X40X14X14	
31423084	31423084	1	SPRING WASHER 8,4	
31423105	31423105	1	SPRING WASHER 10,5	
37112173	37112173	1	BEARING 6203 DDU7C3EX26 NSK	
50956262	50956262	1	CLUTCH LEVER	
52447896	52447896	1	PRESSURE PLATE	
53156150	53156150	1	ENGINE FLANGE B&S 8HP I/P	
53247488	53247488	1	ENGINE FLANGE H=21	
55147842	55147842	1	BELLOWS	
55157609	55157609	1	BELLOWS	
56147845	56147845	1	CLUTCH LEVER	
56156276	56156276	1	SLEEVE D.19	
56156281	56156281	1	CENTRING BUSH D.25,4	
56156284	56156284	1	SPACER D19	
56156285	56156285	1	SPACER D25	
59247884	59247884	1	CLUTCH ASSY	
59247924	59247924	1	CLUTCH	
59247971	59247971	1	CLUTCH	
59256275	59256275	1	CLUTCH ASSY	
59256279	59256279	1	CLUTCH ASSY	
59256280	59256280	1	CLUTCH ASSY	
59256295	59256295	1	CLUTCH ASSY	

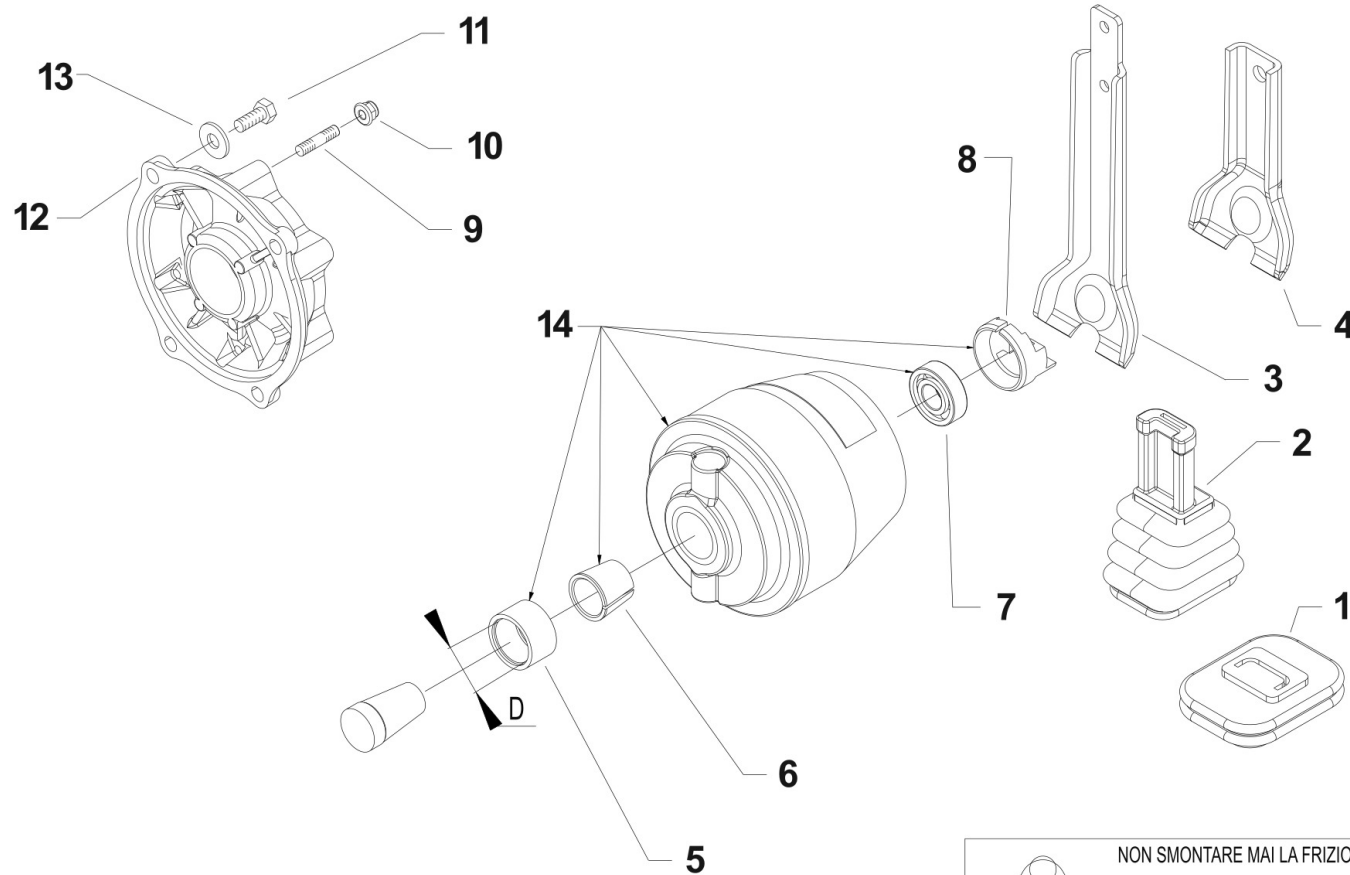





NON SMONTARE MAI LA FRIZIONE
 NEVER DISASSEMBLE THE CLUTCH
 NE DEMONTER JAMAIS L'EMBRAYAGE
 NIEMALS DIE KUPPLUNG AUSBAUEN
 NO DESMONTAR JAMAS EL EMBRAGUE

Pos.	Id	Q.ty	Description	Note
1	55157609	1	BELLOWS	ELECTRIC STARTING
2	55147842	1	BELLOWS	RECOIL STARTER
3	56147845	1	CLUTCH LEVER	RECOIL STARTER
4	50956262	1	CLUTCH LEVER	ELECTRIC STARTING
5	56156284	1	SPACER D19	
5	56156285	1	SPACER D25	
6	56156276	1	SLEEVE D.19	
6	56156281	1	CENTRING BUSH D.25,4	
7	37112173	1	BEARING 6203 DDU7C3EX26 NSK	
8	52447896	1	PRESSURE PLATE	
9	31312083	1	STUD BOLT M8X46X16X16	For motors EX21/LGA340/15LD350/L100AE/ACT340
9	31312088	1	STUD BOLT M8X40X14X14	For motors GX340/GX390/EX35
10	31423084	1	SPRING WASHER 8,4	
11	31211080	1	NUT M8	
11	31241080	1	HEXAGON SELFLOCK NUT M8	For engines with electric start
12	31100003	1	SCREW TE 5/16X7/8	For motors GX120/GX160/GX200/EX21
12	31100015	1	SCREW TE 3/8X1	For motors GX240/GX270/GX340/GX390/EX27/EX35
13	31423105	1	SPRING WASHER 10,5	For motors GX240/GX270/GX340/GX390
14	53156150	1	ENGINE FLANGE B&S 8HP I/P	For motors GX240/GX270/GX340/GX390/EX27/EX35
14	53247488	1	ENGINE FLANGE H=21	For motors GX120/GX160/GX200/EX21
15	59247884		CLUTCH ASSY	15LD315/15LD350 - ACME A220/ACME ACT 280/A349/A360 - L70AE
15	59247924		CLUTCH	15LD500
15	59247971		CLUTCH	L100AE - ACT340 - LGA340
15	59256275		CLUTCH ASSY	GX160/GX200 - EX21
15	59256279		CLUTCH ASSY	GX240/GX270 - EX27
15	59256280		CLUTCH ASSY	GX340/GX390 - EX35
15	59256295		CLUTCH ASSY	A220 (REF.)



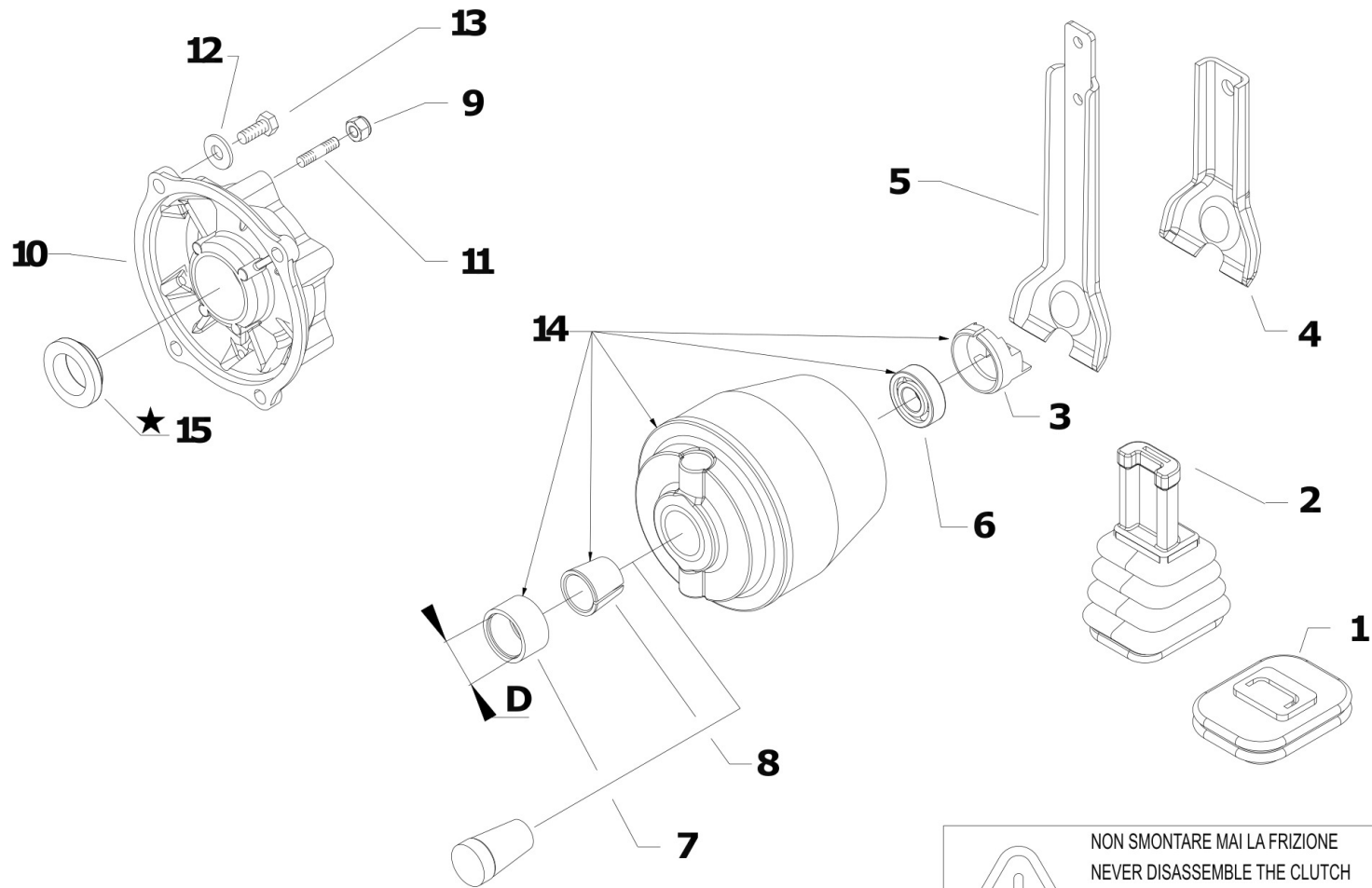




 NON SMONTARE MAI LA FRIZIONE
 NEVER DISASSEMBLE THE CLUTCH
 NE DEMONTER JAMAIS L'EMBRAYAGE
 NIEMALS DIE KUPPLUNG AUSBAUEN
 NO DESMONTAR JAMAS EL EMBRAGUE



Pos.	Id	Q.ty	Description	Note
1	55157609		BELLOWS	ELECTRIC STARTING
2	55156481		CLUTCH LEVER BELLOWS	Replaces 55147842 - RECOIL STARTER
3	56147845		CLUTCH LEVER	RECOIL STARTER
4	50956262		CLUTCH LEVER	ELECTRIC STARTING
5	56156284		SPACER D19	
5	56156285		SPACER D25	
6	56156276		SLEEVE D.19	
6	56156281		CENTRING BUSH D.25,4	
7	37112173		BEARING 6203 DDU7C3EX26 NSK	
8	524C1014		PRESSURE CONE	REPLACE 52447896
9	31312083		STUD BOLT M8X46X16X16	
10	31241083		SELFLOCK NUT M8	Replaces 31211080 + 31423084
11	31100003		SCREW TE 5/16X7/8	For engines GX120-GX160-GX200-EX21
11	31100015		SCREW TE 3/8X1	For engines GX240-GX270-GX340-GX390-EX27-EX35
12	53156150		ENGINE FLANGE B&S 8HP I/P	For engines GX240-GX270-GX340-GX390-EX27-EX35
12	53247488		ENGINE FLANGE H=21	For engines GX120-GX160-GX200-EX21
13	31423084		SPRING WASHER 8,4	
13	31423105		SPRING WASHER 10,5	For engines GX240-GX270-GX340-GX390-EX27-EX35
14	59247489		CONIC CLUTCH D=23 1 CPL SPRING	REPLACES 59247884 - 15LD315/15LD350 - A220 - ACT280/A349/A360 - L70 - KD350
14	59247513		CONIC CLUTCH D=24 2 SPRINGS	REPLACES 59247924 - 15LD500
14	59247823		CONIC CLUTCH D=23,2 2 SPRINGS	REPLACES 59247971 - L100 - ACT340 - LGA340 - KD440
14	592C1010		CLUTCH D.19 Q(UP TO 9HP)	REPLACES 59256275 - GX120/GX160/GX200 - EX21
14	592C1011		COMPLETE CLUTCH D=25,4 9HP	REPLACES 59256275 - GX240/GX270 - EX27
14	592C1012		CONIC CLUTCH D=25,4 UP 9HP	REPLACES 59256280 - GX340/GX390 - EX35
14	592C1013		FRIZIONE C.TA 1 MOLLA SP. REF.	REPLACES 59256295 - A220 REFORM






 NON SMONTARE MAI LA FRIZIONE
 NEVER DISASSEMBLE THE CLUTCH
 NE DEMONTER JAMAIS L'EMBRAYAGE
 NIEMALS DIE KUPPLUNG AUSBAUEN
 NO DESMONTAR JAMAS EL EMBRAGUE

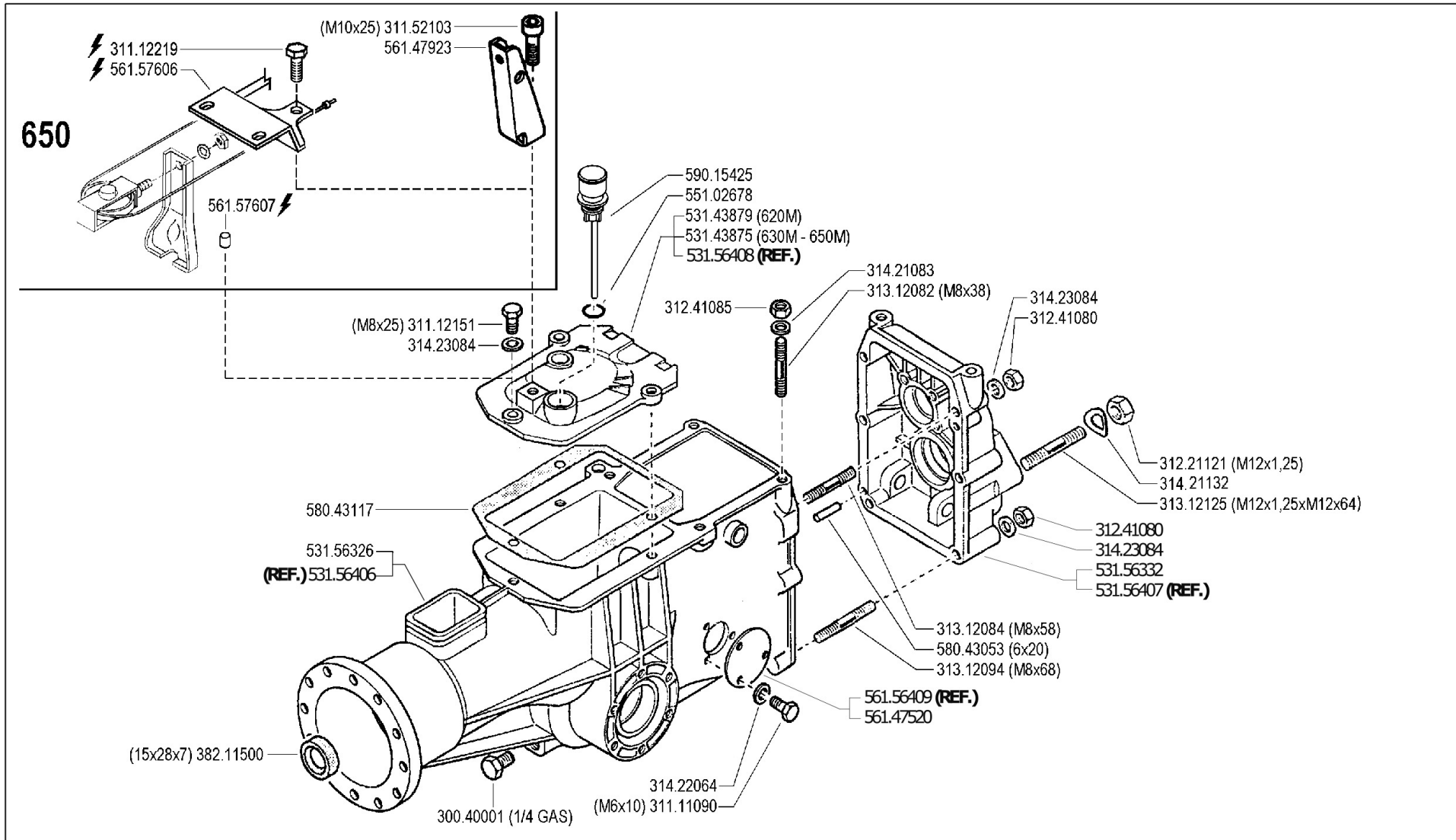


[Click for info](#)

★ = new part

Pos.	Id	Q.ty	Description	Note
1	55157609		BELLOWS	ELECTRIC STARTING
2	55156481		CLUTCH LEVER BELLOWS	Replaces 55147842 - RECOIL STARTER
3	56147845		CLUTCH LEVER	RECOIL STARTER
4	50956262		CLUTCH LEVER	ELECTRIC STARTING
5	56156284		SPACER D19	
5	56156285		SPACER D25	
6	56156276		SLEEVE D.19	
6	56156281		CENTRING BUSH D.25,4	
7	37112173		BEARING 6203 DDU7C3EX26 NSK	
8	524C1014		PRESSURE CONE	REPLACE 52447896
9	31312083		STUD BOLT M8X46X16X16	
10	31241083		SELFLOCK NUT M8	Replaces 31211080 + 31423084
11	31100003		SCREW TE 5/16X7/8	For engines GX120-GX160-GX200-EX21
11	31100015		SCREW TE 3/8X1	For engines GX240-GX270-GX340-GX390-EX27-EX35
12	53156150		ENGINE FLANGE B&S 8HP I/P	For engines GX240-GX270-GX340-GX390-EX27-EX35
12	53247488		ENGINE FLANGE H=21	For engines GX120-GX160-GX200-EX21
13	31423084		SPRING WASHER 8,4	
13	31423105		SPRING WASHER 10,5	For engines GX240-GX270-GX340-GX390-EX27-EX35
14	59247489		CONIC CLUTCH D=23 1 CPL SPRING	REPLACES 59247884 - 15LD315/15LD350 - A220 - ACT280/A349/A360 - L70 - KD350
14	59247513		CONIC CLUTCH D=24 2 SPRINGS	REPLACES 59247924 - 15LD500
14	59247823		CONIC CLUTCH D=23,2 2 SPRINGS	REPLACES 59247971 - L100 - ACT340 - LGA340 - KD440
14	592C1010		CLUTCH D.19 Q(UP TO 9HP)	REPLACES 59256275 - GX120/GX160/GX200 - EX21
14	592C1011		COMPLETE CLUTCH D=25,4 9HP	REPLACES 59256275 - GX240/GX270 - EX27
14	592C1012		CONIC CLUTCH D=25,4 UP 9HP	REPLACES 59256280 - GX340/GX390 - EX35
14	592C1013		FRIZIONE C.TA 1 MOLLA SP. REF.	REPLACES 59256295 - A220 REFORM
15	551C1033		GASKET	





600 serie **MAX**

SCATOLA CAMBIO (620M-630M-650M)

GEARBOX
CAJA DE CAMBIO

BOITE DE VITESSES
WECHSELGETRIEBE

DALLA MACCHINA
DE LA MAQUINA
DE LA MACHINE
FROM THE MACHINE
AB DER MASCHINE

N.

E02	Rev.	0
	09/2004	

ZENE

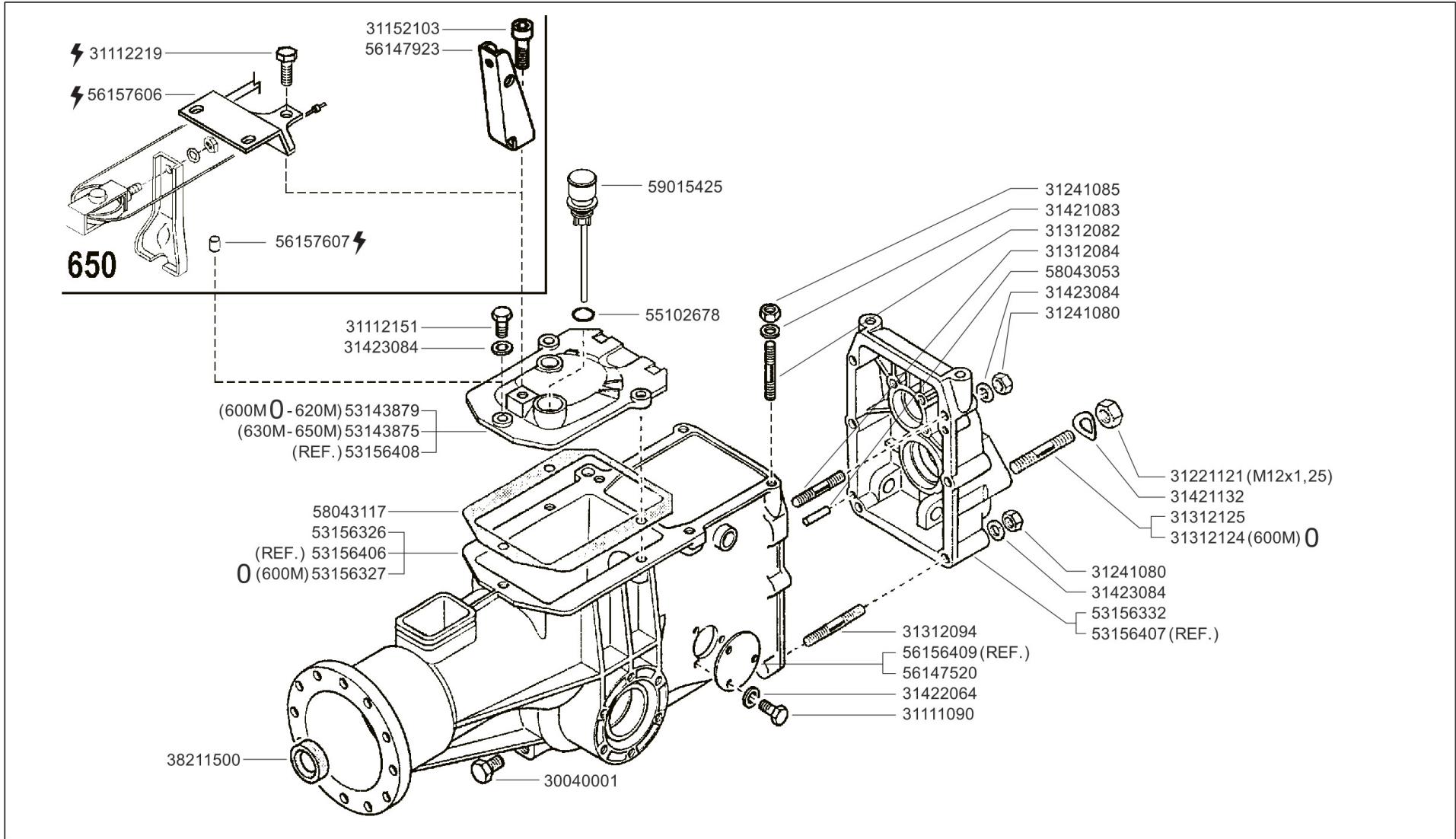



Pos.	Id	Q.ty	Description	Note
30040001	30040001	1	PLUG 1/4 UNI 364	
31111090	31111090	1	SCREW TE M5X10 UNI 5739 8G	
31112151	31112151	1	SCREW TE M8X25 UNI 5739 8G	
31112219	31112219	1	SCREW TE M10X25 UNI 5739	
31152103	31152103	1	SCREW TCEI M10X25 UNI 5931	
31221121	31221121	1	NUT M12X1,25	
31241080	31241080	1	HEXAGON SELFLOCK NUT M8	
31241085	31241085	1	SELFLOCK NUT M8 6S	
31312082	31312082	1	STUD BOLT M8X38X14X20	
31312084	31312084	1	STUD BOLT M8X58X16X16	
31312094	31312094	1	STUD BOLT M8X68X14X36	
31312125	31312125	1	STUD BOLT 64XM12X1,25X26XM12X30 8G	
31421083	31421083	1	WASHER	
31421132	31421132	1	WASHER 13X24X2,8	
31422064	31422064	1	SPRING WASHER 6,4	
31423084	31423084	1	SPRING WASHER 8,4	
38211500	38211500	1	OIL SEAL 15X28X7	
53143875	53143875	1	GEARBOX HOUSING COVER	
53143879	53143879	1	GEARBOX HOUSING COVER	
53156326	53156326	1	BODY	
53156332	53156332	1	REAR COVER	
53156406	53156406	1	BODY	
53156407	53156407	1	REAR COVER	
53156408	53156408	1	GEARBOX HOUSING COVER	
55102678	55102678	1	RUBBER RING	
56147520	56147520	1	COVER	
56147923	56147923	1	BRACKET	
56156409	56156409	1	COVER	
56157606	56157606	1	STOP	



Pos.	Id	Q.ty	Description	Note
56157607	56157607	1	SPACER	
58043053	58043053	1	CYLINDRICAL PLUG	
58043117	58043117	1	COVER GASKET	
59015425	59015425	1	PLUG	





	<h1>600 serie MAX</h1>	SCATOLA CAMBIO (600M 0 - 620M - 630M - 650M)		DALLA MACCHINA DE LA MAQUINA DE LA MACHINE FROM THE MACHINE AB DER MASCHINE 0N.	AGGIORNAMENTO	<div style="font-size: 2em; font-weight: bold;">E02</div> <div style="font-size: 2em; font-weight: bold;">1</div>	Rev.
		GEARBOX	BOTTE DE VITESSES		REVISION		1
		CAJA DE CAMBIO	WECHSELGETRIEBE		MISE A JOUR		06/2006
					APLAZAMIENTO		
					ANPASSUNG		

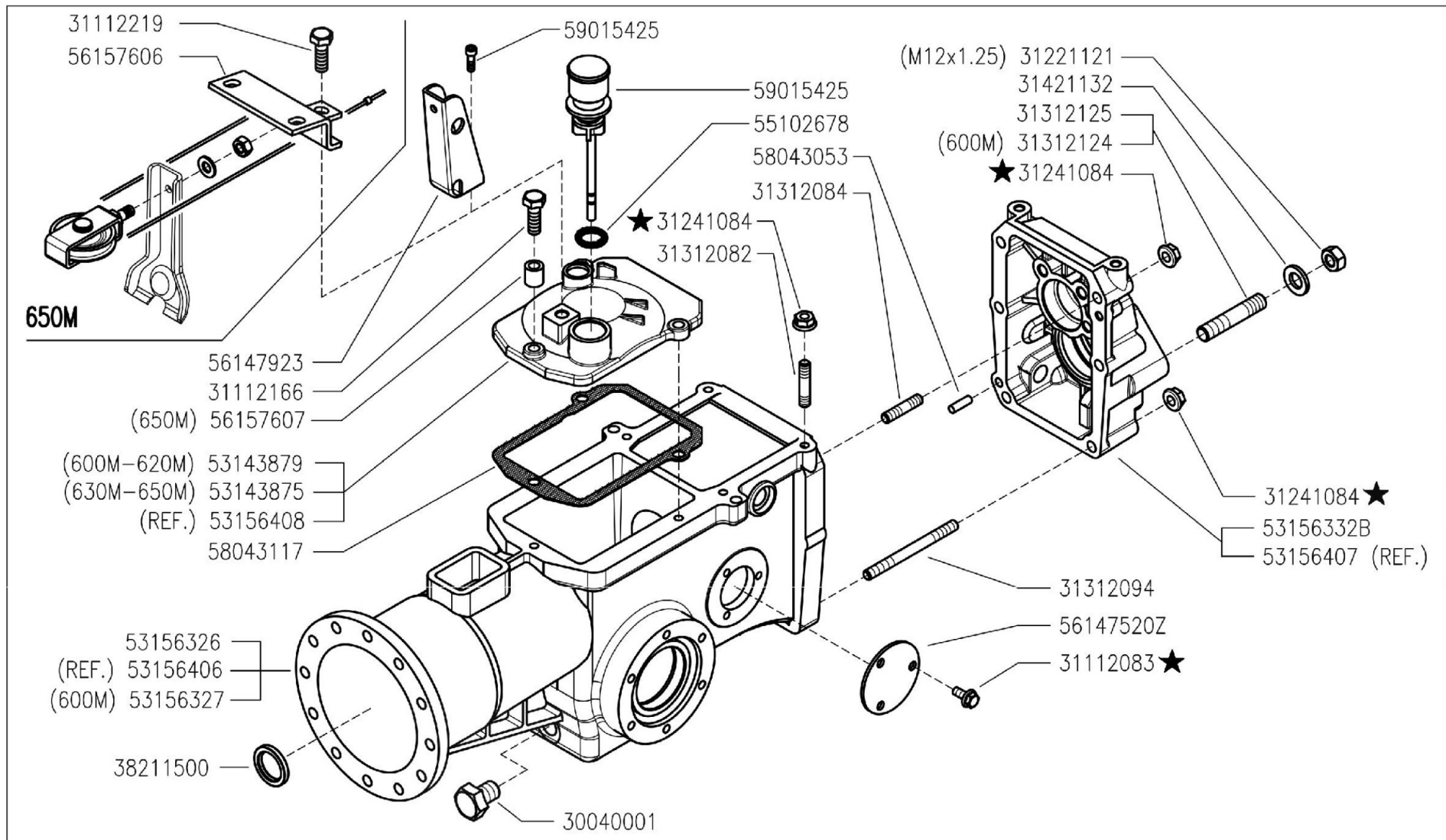


Pos.	Id	Q.ty	Description	Note
30040001	30040001	1	PLUG 1/4 UNI 364	
31111090	31111090	1	SCREW TE M5X10 UNI 5739 8G	
31112151	31112151	1	SCREW TE M8X25 UNI 5739 8G	
31112219	31112219	1	SCREW TE M10X25 UNI 5739	
31152103	31152103	1	SCREW TCEI M10X25 UNI 5931	
31221121	31221121	1	NUT M12X1,25	
31241080	31241080	1	HEXAGON SELFLOCK NUT M8	
31241085	31241085	1	SELFLOCK NUT M8 6S	
31312082	31312082	1	STUD BOLT M8X38X14X20	
31312084	31312084	1	STUD BOLT M8X58X16X16	
31312094	31312094	1	STUD BOLT M8X68X14X36	
31312124	31312124	1	STUD BOLT 52XM12X1,25X22XM12X22 8G	
31312125	31312125	1	STUD BOLT 64XM12X1,25X26XM12X30 8G	
31421083	31421083	1	WASHER	
31421132	31421132	1	WASHER 13X24X2,8	
31422064	31422064	1	SPRING WASHER 6,4	
31423084	31423084	1	SPRING WASHER 8,4	
38211500	38211500	1	OIL SEAL 15X28X7	
53143875	53143875	1	GEARBOX HOUSING COVER	
53143879	53143879	1	GEARBOX HOUSING COVER	
53156326	53156326	1	BODY	
53156327	53156327	1	BODY	
53156332	53156332	1	REAR COVER	
53156406	53156406	1	BODY	
53156407	53156407	1	REAR COVER	
53156408	53156408	1	GEARBOX HOUSING COVER	
55102678	55102678	1	RUBBER RING	
56147520	56147520	1	COVER	
56147923	56147923	1	BRACKET	



Pos.	Id	Q.ty	Description	Note
56156409	56156409	1	COVER	
56157606	56157606	1	STOP	
56157607	56157607	1	SPACER	
58043053	58043053	1	CYLINDRICAL PLUG	
58043117	58043117	1	COVER GASKET	
59015425	59015425	1	PLUG	





600 serie MAX

SCATOLA CAMBIO (600M-620M-630M-650M)

GEARBOX
CAJA DE CAMBIO

BOITE DE VITESSES
WECHSELGETRIEBE

DALLA MACCHINA
DE LA MAQUINA
FROM THE MACHINE
AB DER MASCHINE

★N.

AGGIORNAMENTO
REVISION
MISE A JOUR
APLAZAMIENTO
ANPASSUNG

E02

09/2010

Rev. 2

DITE.BCS - Scala 1:4



Pos.	Id	Q.ty	Description	Note
30040001	30040001	1	PLUG 1/4 UNI 364	
31112083	31112083	1	SCREW M6X12	
31112151	31112151	1	SCREW TE M8X25 UNI 5739 8G	
31112219	31112219	1	SCREW TE M10X25 UNI 5739	
31152103	31152103	1	SCREW TCEI M10X25 UNI 5931	
31221121	31221121	1	NUT M12X1,25	
31241084	31241084	1	SELFLOCK NUT M8 6S	
31312082	31312082	1	STUD BOLT M8X38X14X20	
31312084	31312084	1	STUD BOLT M8X58X16X16	
31312094	31312094	1	STUD BOLT M8X68X14X36	
31312124	31312124	1	STUD BOLT 52XM12X1,25X22XM12X22 8G	
31312125	31312125	1	STUD BOLT 64XM12X1,25X26XM12X30 8G	
31421132	31421132	1	WASHER 13X24X2,8	
38211500	38211500	1	OIL SEAL 15X28X7	
53143875	53143875	1	GEARBOX HOUSING COVER	
53143879	53143879	1	GEARBOX HOUSING COVER	
53156326	53156326	1	BODY	
53156327	53156327	1	BODY	
53156332	53156332	1	REAR COVER	
53156406	53156406	1	BODY	
53156407	53156407	1	REAR COVER	
53156408	53156408	1	GEARBOX HOUSING COVER	
55102678	55102678	1	RUBBER RING	
56147520	56147520	1	COVER	
56147923	56147923	1	BRACKET	
56156409	56156409	1	COVER	
56157606	56157606	1	STOP	
56157607	56157607	1	SPACER	
58043053	58043053	1	CYLINDRICAL PLUG	



Pos.	Id	Q.ty	Description	Note
58043117	58043117	1	COVER GASKET	
59015425	59015425	1	PLUG	

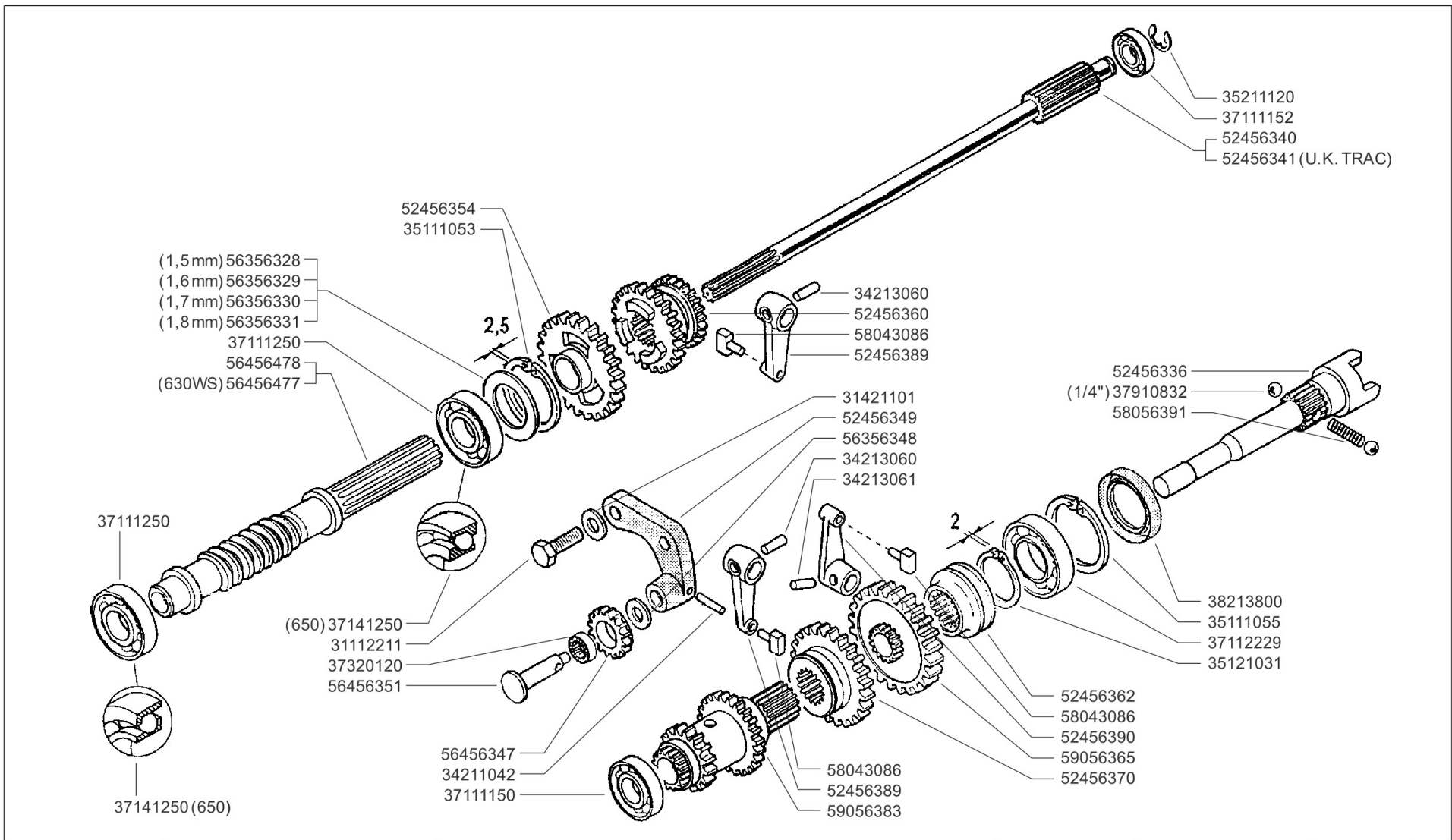


Pos.	Id	Q.ty	Description	Note
31112211	31112211	1	SCREW TE M10X30 UNI 5739	
31421101	31421101	1	WASHER 10 DIN 679	
34211042	34211042	1	ROLL PIN	
34213060	34213060	1	ROLL PIN	
34213061	34213061	1	ROLL PIN	
35111053	35111053	1	SEEGER RING I 52 UNI 7438	
35111055	35111055	1	SEEGER RING I 55 DIN 472	
35121031	35121031	1	SEEGER RING E 30 UNI 7436	
35211120	35211120	1	SEEGER RING E 12 UNI 7434	
37111150	37111150	1	BEARING 6202 (15X35X11)	
37111152	37111152	1	BEARING 6302 (15X42X13) SKF	
37111250	37111250	1	BEARING	
37112229	37112229	1	BEARING 6006 (30X55X13) SKF	
37141250	37141250	1	BEARING 7205-B OBL SKF	
37320120	37320120	1	ROLLER CAGE 12X15/10	
37910832	37910832	1	BALL 1/4	
38213800	38213800	1	OIL SEAL 38X55X7	
52456336	52456336	1	PTO SHAFT L=193	
52456340	52456340	1	SHAFT	
52456341	52456341	1	SHAFT	
52456349	52456349	1	GEAR SUPPORT	
52456354	52456354	1	GEAR	
52456360	52456360	1	SLIDER	
52456362	52456362	1	COUPLING	
52456370	52456370	1	SLIDER	
52456389	52456389	1	LEVER	
52456390	52456390	1	LEVER	
56356328	56356328	1	ADJUSTING RING SP=1,5	
56356329	56356329	1	ADJUSTING RING SP=1,6	



Pos.	Id	Q.ty	Description	Note
56356330	56356330	1	ADJUSTING RING SP=1,7	
56356331	56356331	1	ADJUSTING RING SP=1,8	
56356348	56356348	1	ADJUSTING RING	
56456347	56456347	1	GEAR	
56456351	56456351	1	GEAR PIN	
56456477	56456477	1	SCREW 4 DS	
56456478	56456478	1	SCREW 2	
58043086	58043086	1	SHOE	
58056391	58056391	1	SPRING	
59056365	59056365	1	PTO GEAR	
59056383	59056383	1	TRIPLE GEAR	





	600 serie MAX	INGRANAGGICAMBIO (600M0 - 620M- 630M- 630WSM- 650M- WS MUSTER) GEARS ENGRANAJES	DALLA MACCHINA DE LA MAQUINA DE LA MACHINE FROM THE MACHINE AB DER MASCHINE 0N.	AGGIORNAMENTO	F03	Rev.
				REVISION		1
				MISE A JOUR		06/2006
				APLAZAMIENTO		
				ANPASSUNG		

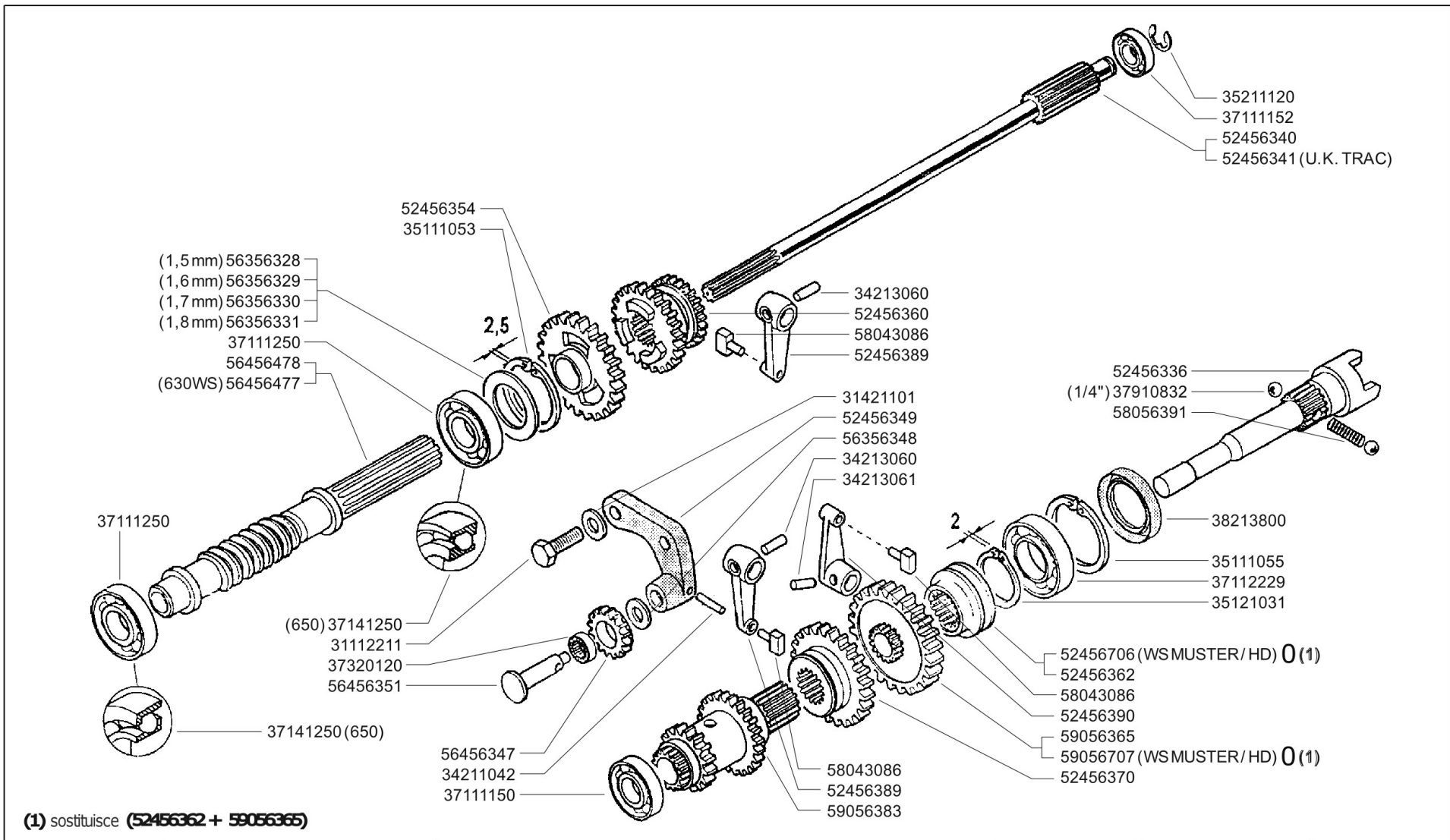


Pos.	Id	Q.ty	Description	Note
31112211	31112211	1	SCREW TE M10X30 UNI 5739	
31421101	31421101	1	WASHER 10 DIN 679	
34211042	34211042	1	ROLL PIN	
34213060	34213060	1	ROLL PIN	
34213061	34213061	1	ROLL PIN	
35111053	35111053	1	SEEGER RING I 52 UNI 7438	
35111055	35111055	1	SEEGER RING I 55 DIN 472	
35121031	35121031	1	SEEGER RING E 30 UNI 7436	
35211120	35211120	1	SEEGER RING E 12 UNI 7434	
37111150	37111150	1	BEARING 6202 (15X35X11)	
37111152	37111152	1	BEARING 6302 (15X42X13) SKF	
37111250	37111250	1	BEARING	
37112229	37112229	1	BEARING 6006 (30X55X13) SKF	
37141250	37141250	1	BEARING 7205-B OBL SKF	
37320120	37320120	1	ROLLER CAGE 12X15/10	
37910832	37910832	1	BALL 1/4	
38213800	38213800	1	OIL SEAL 38X55X7	
52456336	52456336	1	PTO SHAFT L=193	
52456340	52456340	1	SHAFT	
52456341	52456341	1	SHAFT	
52456349	52456349	1	GEAR SUPPORT	
52456354	52456354	1	GEAR	
52456360	52456360	1	SLIDER	
52456362	52456362	1	COUPLING	
52456370	52456370	1	SLIDER	
52456389	52456389	1	LEVER	
52456390	52456390	1	LEVER	
56356328	56356328	1	ADJUSTING RING SP=1,5	
56356329	56356329	1	ADJUSTING RING SP=1,6	



Pos.	Id	Q.ty	Description	Note
56356330	56356330	1	ADJUSTING RING SP=1,7	
56356331	56356331	1	ADJUSTING RING SP=1,8	
56356348	56356348	1	ADJUSTING RING	
56456347	56456347	1	GEAR	
56456351	56456351	1	GEAR PIN	
56456477	56456477	1	SCREW 4 DS	
56456478	56456478	1	SCREW 2	
58043086	58043086	1	SHOE	
58056391	58056391	1	SPRING	
59056365	59056365	1	PTO GEAR	
59056383	59056383	1	TRIPLE GEAR	





	600 serie MAX	INGRANAGGICAMBIO (600M-620M-630M-630WSM-650M-WS MUSTER)		DALLA MACCHINA DE LA MAQUINA DE LA MACHINE FROM THE MACHINE AB DER MASCHINE	Rev. 2
		GEARS ENGRANAJES	ENGRANAGES ZAHNRÄDER		

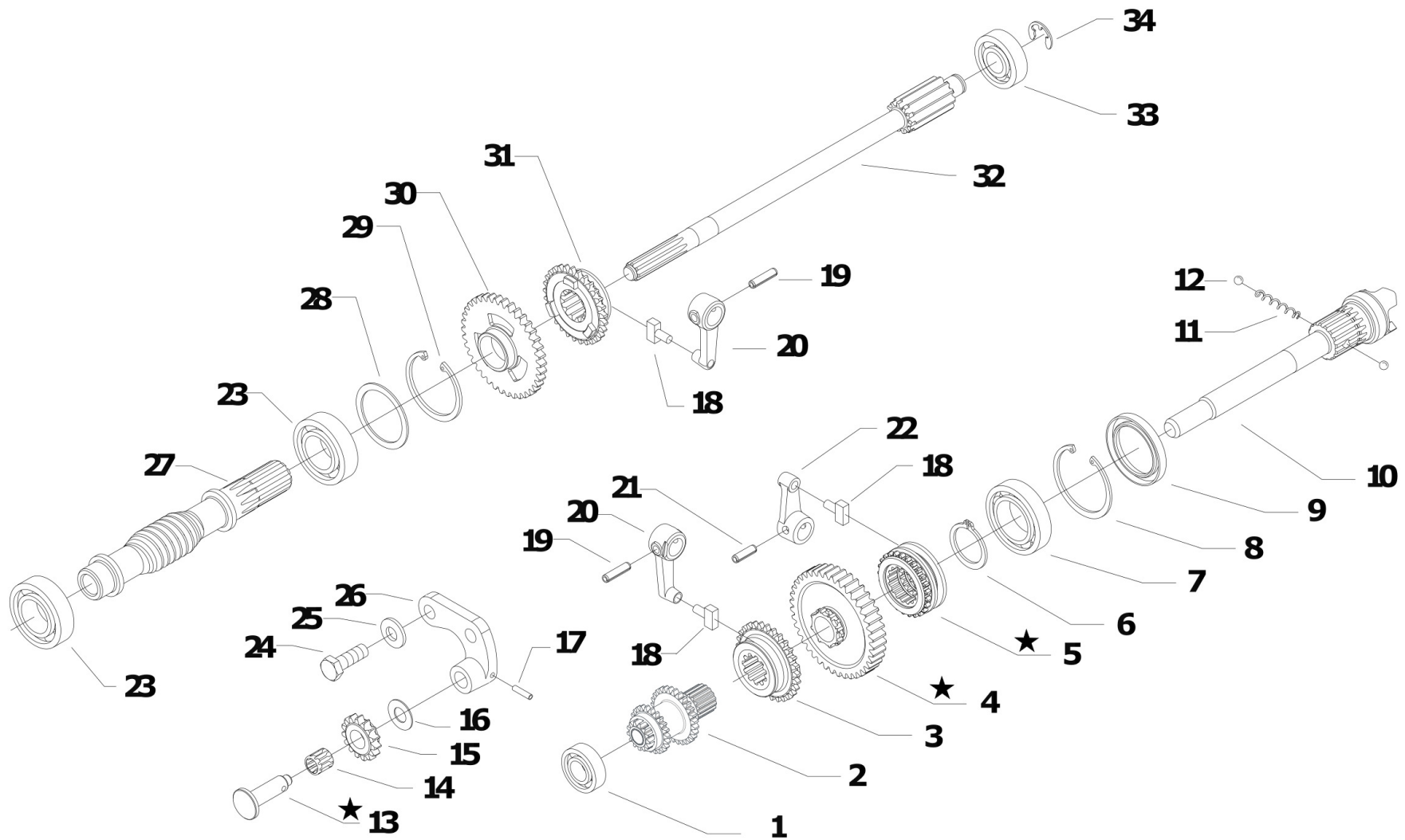


Pos.	Id	Q.ty	Description	Note
31112211	31112211	1	SCREW TE M10X30 UNI 5739	
31421101	31421101	1	WASHER 10 DIN 679	
34211042	34211042	1	ROLL PIN	
34213060	34213060	1	ROLL PIN	
34213061	34213061	1	ROLL PIN	
35111053	35111053	1	SEEGER RING I 52 UNI 7438	
35111055	35111055	1	SEEGER RING I 55 DIN 472	
35121031	35121031	1	SEEGER RING E 30 UNI 7436	
35211120	35211120	1	SEEGER RING E 12 UNI 7434	
37111150	37111150	1	BEARING 6202 (15X35X11)	
37111152	37111152	1	BEARING 6302 (15X42X13) SKF	
37111250	37111250	1	BEARING	
37112229	37112229	1	BEARING 6006 (30X55X13) SKF	
37141250	37141250	1	BEARING 7205-B OBL SKF	
37320120	37320120	1	ROLLER CAGE 12X15/10	
37910832	37910832	1	BALL 1/4	
38213800	38213800	1	OIL SEAL 38X55X7	
52456336	52456336	1	PTO SHAFT L=193	
52456340	52456340	1	SHAFT	
52456341	52456341	1	SHAFT	
52456349	52456349	1	GEAR SUPPORT	
52456354	52456354	1	GEAR	
52456360	52456360	1	SLIDER	
52456362	52456362	1	COUPLING	
52456370	52456370	1	SLIDER	
52456389	52456389	1	LEVER	
52456390	52456390	1	LEVER	
52456706	52456706	1	PTO COUPLING	
56356328	56356328	1	ADJUSTING RING SP=1,5	



Pos.	Id	Q.ty	Description	Note
56356329	56356329	1	ADJUSTING RING SP=1,6	
56356330	56356330	1	ADJUSTING RING SP=1,7	
56356331	56356331	1	ADJUSTING RING SP=1,8	
56356348	56356348	1	ADJUSTING RING	
56456347	56456347	1	GEAR	
56456351	56456351	1	GEAR PIN	
56456477	56456477	1	SCREW 4 DS	
56456478	56456478	1	SCREW 2	
58043086	58043086	1	SHOE	
58056391	58056391	1	SPRING	
59056365	59056365	1	PTO GEAR	
59056383	59056383	1	TRIPLE GEAR	
59056707	59056707	1	GEAR	





i = info - stop 2 sec. ★ = new part

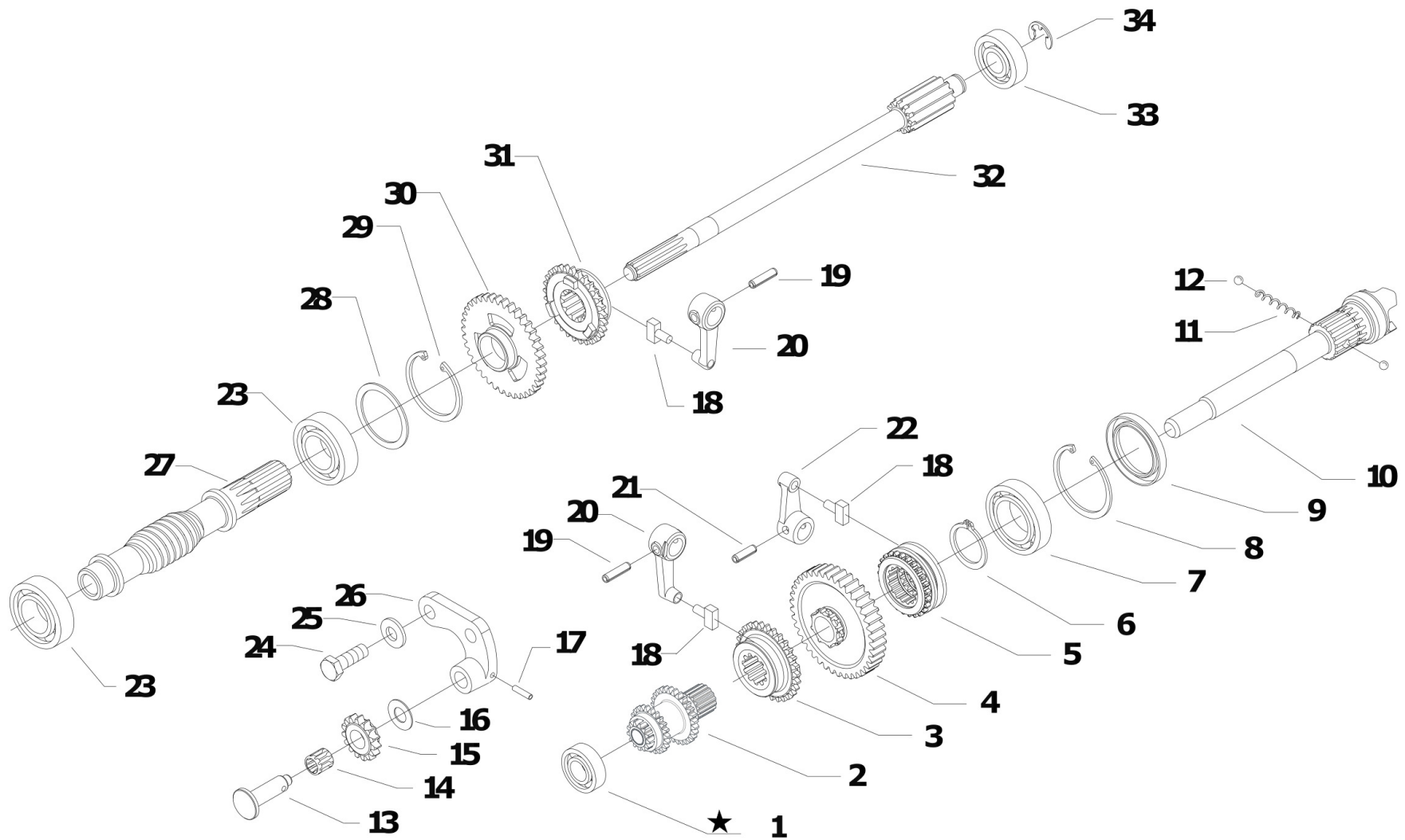


Pos.	Id	Q.ty	Description	Note
1	37111150		BEARING 6202 (15X35X11)	
2	59056383		TRIPLE GEAR	
3	52456370		SLIDER	
4	59056707		GEAR	Replaces 59056365 + 52456362 from serial 863327 for 600-620-630-630WS-650
5	52456706		PTO COUPLING	Replaces 59056365 + 52456362 from serial 863327 for 600-620-630-630WS-650
6	35121031		SEEGER RING E 30 UNI 7436	
7	37112229		BEARING 6006 (30X55X13) SKF	
8	35111055		SEEGER RING I 55 DIN 472	
9	38213800		OIL SEAL 38X55X7	
10	52456336		PTO SHAFT L=193	
11	58056391		SPRING	
12	37910832		BALL 1/4	
13	56456736		GEAR PIN	Replaces 56456351
14	37320120		ROLLER CAGE 12X15/10	
15	56456347		GEAR	
16	56356348		ADJUSTING RING	
17	34211042		ROLL PIN	
18	58043086		SHOE	
19	34213060		ROLL PIN	
20	52456389		LEVER	
21	34213061		ROLL PIN	
22	52456390		LEVER	
23	37111250		BEARING	
23	37141250		BEARING 7205-B OBL SKF	For Model 650 MAX
24	31112211		SCREW TE M10X30 UNI 5739	
25	31421101		WASHER 10 DIN 679	
26	52456349		GEAR SUPPORT	
27	56456477		SCREW 4 DS	For the model 630 WS
27	56456478		SCREW 2	



Pos.	Id	Q.ty	Description	Note
28	56356328		ADJUSTING RING SP=1,5	
28	56356329		ADJUSTING RING SP=1,6	
28	56356330		ADJUSTING RING SP=1,7	
28	56356331		ADJUSTING RING SP=1,8	
29	35111053		SEEGER RING I 52 UNI 7438	
30	52456354		GEAR	
31	52456360		SLIDER	
32	52456340		SHAFT	
32	52456341		SHAFT	U.K. TRAC
33	37111152		BEARING 6302 (15X42X13) SKF	
34	35211120		SEEGER RING E 12 UNI 7434	





[i Click for info](#)

★ = new part

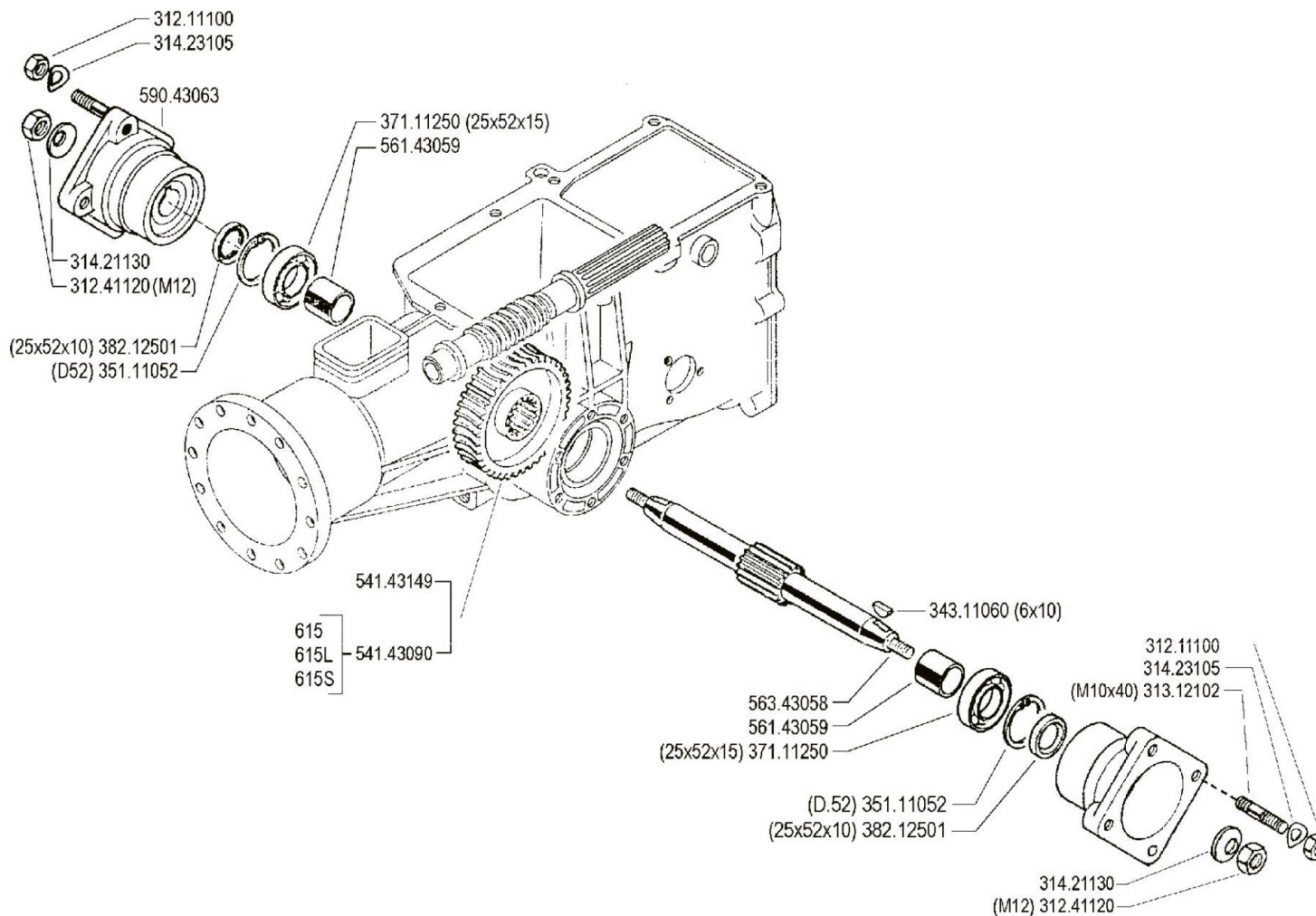


Pos.	Id	Q.ty	Description	Note
1	37111151		BEARING 6202 (15X35X11)	REPLACES 37111150
2	59056383		TRIPLE GEAR	
3	52456370		SLIDER	
4	59056707		GEAR	Replaces 59056365 + 52456362 from serial 863327 for 600-620-630-630WS-650
5	52456706		PTO COUPLING	Replaces 59056365 + 52456362 from serial 863327 for 600-620-630-630WS-650
6	35121031		SEEGER RING E 30 UNI 7436	
7	37112229		BEARING 6006 (30X55X13) SKF	
8	35111055		SEEGER RING I 55 DIN 472	
9	38213800		OIL SEAL 38X55X7	
10	52456336		PTO SHAFT L=193	
11	58056391		SPRING	
12	37910832		BALL 1/4	
13	56456736		GEAR PIN	Replaces 56456351
14	37320120		ROLLER CAGE 12X15/10	
15	56456347		GEAR	
16	56356348		ADJUSTING RING	
17	34211042		ROLL PIN	
18	58043086		SHOE	
19	34213060		ROLL PIN	
20	52456389		LEVER	
21	34213061		ROLL PIN	
22	52456390		LEVER	
23	37111250		BEARING	
24	31112211		SCREW TE M10X30 UNI 5739	
25	31421101		WASHER 10 DIN 679	
26	52456349		GEAR SUPPORT	
27	56456477		SCREW 4 DS	For the model 630 WS
27	56456478		SCREW 2	
28	56356328		ADJUSTING RING SP=1,5	



Pos.	Id	Q.ty	Description	Note
28	56356329		ADJUSTING RING SP=1,6	
28	56356330		ADJUSTING RING SP=1,7	
28	56356331		ADJUSTING RING SP=1,8	
29	35111053		SEEGER RING I 52 UNI 7438	
30	52456354		GEAR	
31	52456360		SLIDER	
32	52456340		SHAFT	
32	52456341		SHAFT	U.K. TRAC
33	37111152		BEARING 6302 (15X42X13) SKF	
34	35211120		SEEGER RING E 12 UNI 7434	





600 serie **MAX**

ASSE RUOTE (615M - 615LM - 615SM - 620M)

WHEEL AXLE
EJE RUEDAS

ESSIEU ROUES
RADACHSE

DALLA MACCHINA
DE LA MAQUINA
DE LA MACHINE
FROM THE MACHINE
AB DER MASCHINE

N.

G01

Rev.
0

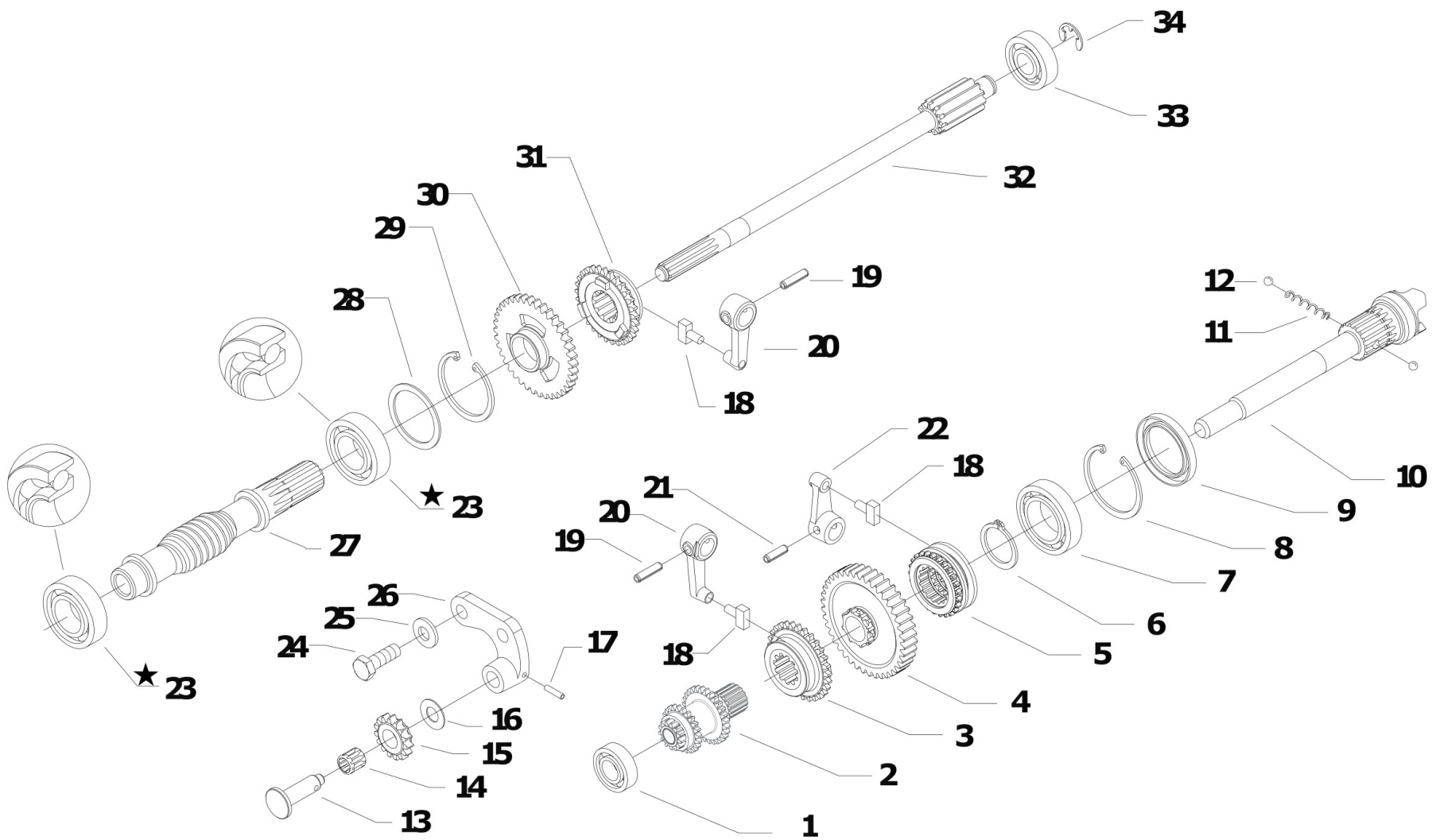
09/2004

ZENNE



Pos.	Id	Q.ty	Description	Note
31211100	31211100	1	NUT M10	
31241120	31241120	1	SELFLOCK NUT M12	
31312102	31312102	1	STUD BOLT M10X40X24X12	
31421130	31421130	1	WASHER	
31423105	31423105	1	SPRING WASHER 10,5	
34311060	34311060	1	KEY 6X10 UNI 6606	
35111052	35111052	1	SEEGER RING I 52 DIN 472	
37111250	37111250	1	BEARING	
38212501	38212501	1	OIL SEAL 25X52X10	
54143090	54143090	1	CROWN WHEELZ=49 DESTROSA	
54143149	54143149	1	CROWN WHEEL Z=49 MF SINIS	
56143059	56143059	1	SPACER	
56343058	56343058	1	AXLE SHAFT	
59043063	59043063	1	WHEEL HUB	





[i Click for info](#)

★ = new part

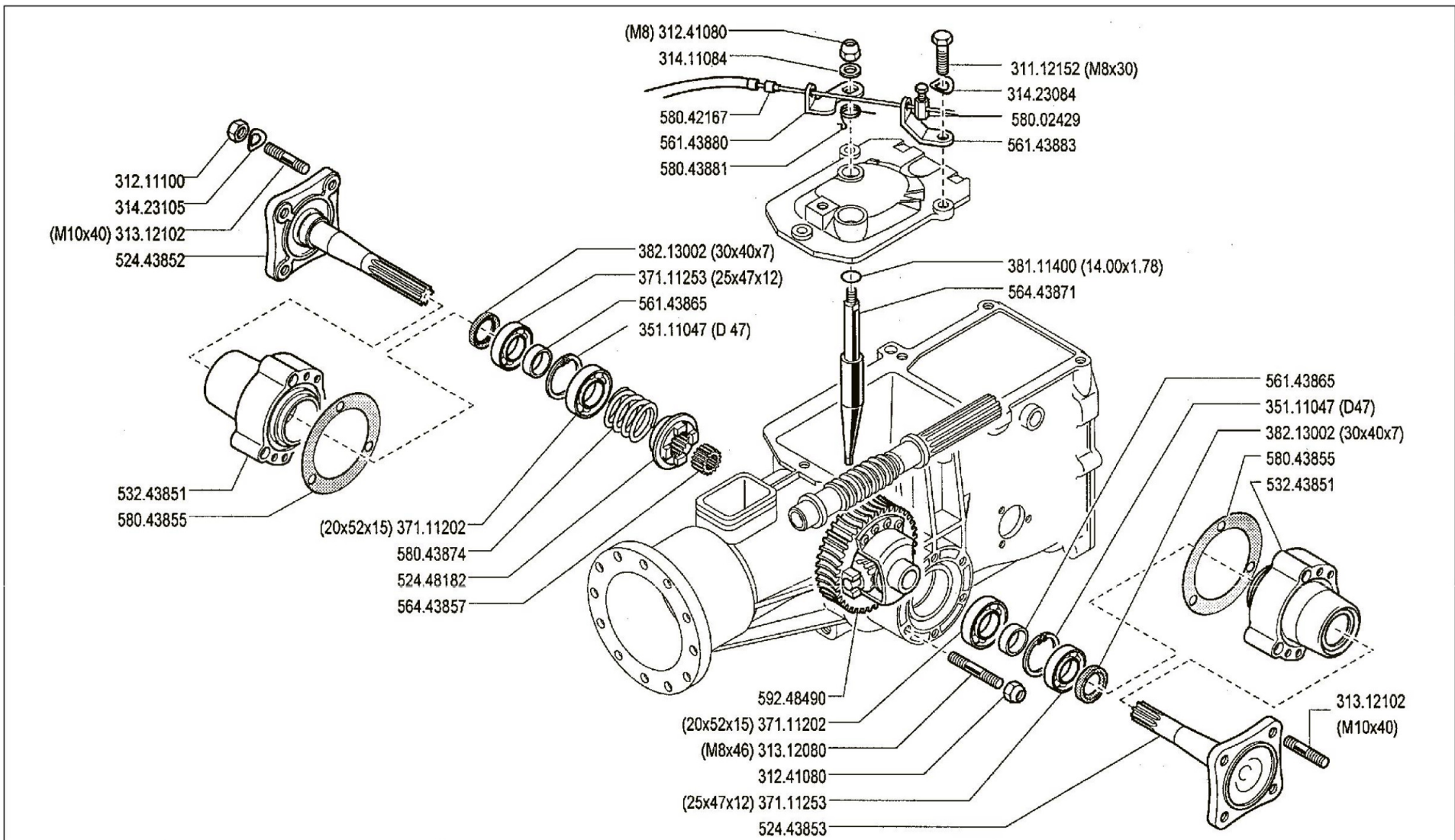


Pos.	Id	Q.ty	Description	Note
1	37111151		BEARING 6202 (15X35X11)	
2	59056383		TRIPLE GEAR	
3	52456370		SLIDER	
4	59056707		GEAR	Replaces 59056365 + 52456362 from serial 863327 for 600-620-630-630WS-650
5	52456706		PTO COUPLING	Replaces 59056365 + 52456362 from serial 863327 for 600-620-630-630WS-650
6	35121031		SEEGER RING E 30 UNI 7436	
7	37112229		BEARING 6006 (30X55X13) SKF	
8	35111055		SEEGER RING I 55 DIN 472	
9	38213800		OIL SEAL 38X55X7	
10	52456336		PTO SHAFT L=193	
11	58056391		SPRING	
12	37910832		BALL 1/4	
13	56456736		GEAR PIN	Replaces 56456351
14	37320120		ROLLER CAGE 12X15/10	
15	56456347		GEAR	
16	56356348		ADJUSTING RING	
17	34211042		ROLL PIN	
18	58043086		SHOE	
19	34213060		ROLL PIN	
20	52456389		LEVER	
21	34213061		ROLL PIN	
22	52456390		LEVER	
23	37141250		BEARING 7205-B OBL SKF	For Model 650 MAX
24	31112211		SCREW TE M10X30 UNI 5739	
25	31421101		WASHER 10 DIN 679	
26	52456349		GEAR SUPPORT	
27	56456477		SCREW 4 DS	For the model 630 WS
27	56456478		SCREW 2	
28	56356328		ADJUSTING RING SP=1,5	



Pos.	Id	Q.ty	Description	Note
28	56356329		ADJUSTING RING SP=1,6	
28	56356330		ADJUSTING RING SP=1,7	
28	56356331		ADJUSTING RING SP=1,8	
29	35111053		SEEGER RING I 52 UNI 7438	
30	52456354		GEAR	
31	52456360		SLIDER	
32	52456340		SHAFT	
32	52456341		SHAFT	U.K. TRAC
33	37111152		BEARING 6302 (15X42X13) SKF	
34	35211120		SEEGER RING E 12 UNI 7434	



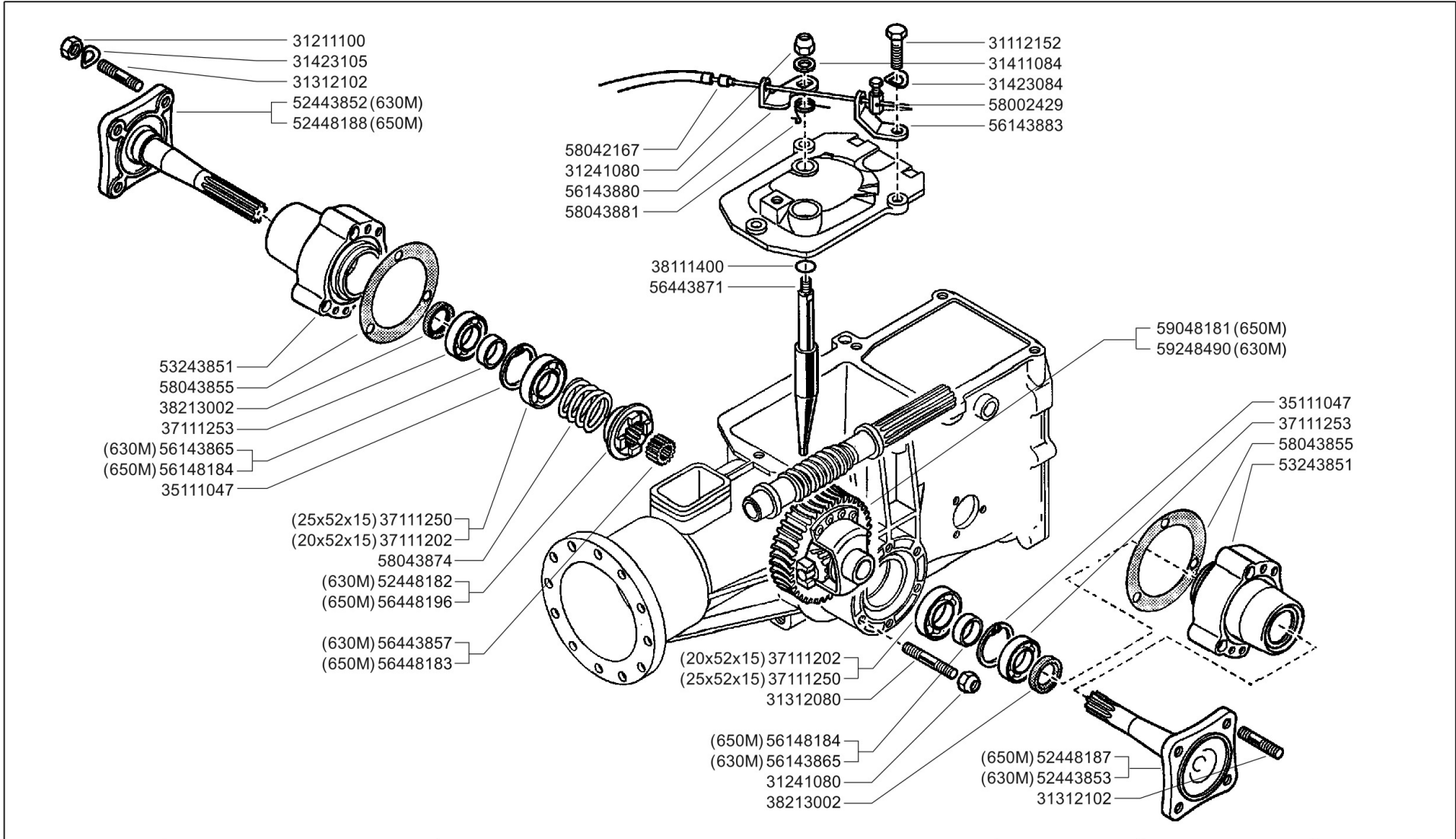


	600 serie MAX	DIFFERENZIALE (630M)		DALLA MACCHINA DE LA MAQUINA DE LA MACHINE FROM THE MACHINE AB DER MASCHINE	Rev. 0
		DIFFERENTIAL DIFFERENCIAL	DIFFERENTIEL DIFFERENTIAL		



Pos.	Id	Q.ty	Description	Note
31112152	31112152	1	SCREW TE M8X30 UNI 5739 8G	
31211100	31211100	1	NUT M10	
31241080	31241080	1	HEXAGON SELFLOCK NUT M8	
31312080	31312080	1	STUD BOLT M8X46X20X12	
31312102	31312102	1	STUD BOLT M10X40X24X12	
31411084	31411084	1	WASHER 8,4x17	
31423084	31423084	1	SPRING WASHER 8,4	
31423105	31423105	1	SPRING WASHER 10,5	
35111047	35111047	1	SEEGER RING I 47 DIN 472	
37111202	37111202	1	BEARING 6304 (20X52X15)	
37111253	37111253	1	BEARING 6005 (25X47X12)	
38111400	38111400	1	O-RING (14,00X1,78)	
38213002	38213002	1	OIL SEAL 30X40X7	
52443852	52443852	1	AXLE SHAFT	
52443853	52443853	1	AXLE SHAFT	
52448182	52448182	1	COUPLING	
53243851	53243851	1	HUB	
56143865	56143865	1	RING	
56143880	56143880	1	SMALL LEVER	
56143883	56143883	1	STOP	
56443871	56443871	1	ROD	
58002429	58002429	1	CLAMPING SCREW	
58042167	58042167	1	SHEATH END	
58043855	58043855	1	GASKET	
58043874	58043874	1	SPRING	
58043881	58043881	1	SPRING	
59248490	59248490	1	DIFFERENTIAL GEAR	





	600 serie MAX	DIFFERENZIALE (630M-650M)		DALLA MACCHINA DE LA MAQUINA DE LA MACHINE FROM THE MACHINE AB DER MASCHINE N.	ERRATA CORRIGE	Rev. 1 10/2004
		DIFFERENTIEL DIFFERENCIAL	DIFFÉRENTIEL DIFFERENTIAL		_____ _____ _____	

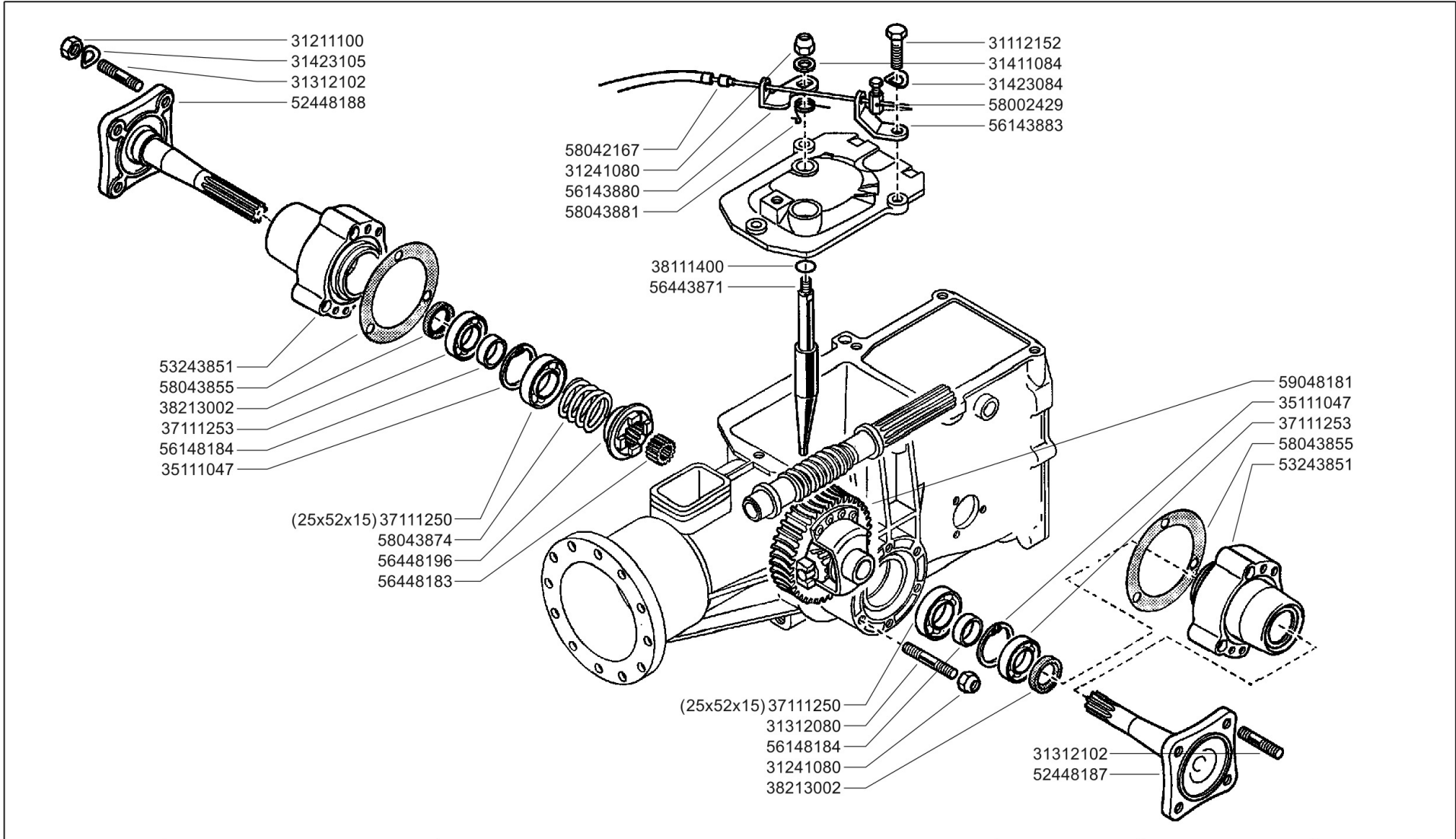


Pos.	Id	Q.ty	Description	Note
31112152	31112152	1	SCREW TE M8X30 UNI 5739 8G	
31211100	31211100	1	NUT M10	
31241080	31241080	1	HEXAGON SELFLOCK NUT M8	
31312080	31312080	1	STUD BOLT M8X46X20X12	
31312102	31312102	1	STUD BOLT M10X40X24X12	
31411084	31411084	1	WASHER 8,4x17	
31423084	31423084	1	SPRING WASHER 8,4	
31423105	31423105	1	SPRING WASHER 10,5	
35111047	35111047	1	SEEGER RING I 47 DIN 472	
37111202	37111202	1	BEARING 6304 (20X52X15)	
37111250	37111250	1	BEARING	
37111253	37111253	1	BEARING 6005 (25X47X12)	
38111400	38111400	1	O-RING (14,00X1,78)	
38213002	38213002	1	OIL SEAL 30X40X7	
52443852	52443852	1	AXLE SHAFT	
52443853	52443853	1	AXLE SHAFT	
52448182	52448182	1	COUPLING	
52448187	52448187	1	AXLE SHAFT	
52448188	52448188	1	AXLE SHAFT	
53243851	53243851	1	HUB	
56143865	56143865	1	RING	
56143880	56143880	1	SMALL LEVER	
56143883	56143883	1	STOP	
56148184	56148184	1	RING	
56443857	56443857	1	SPACER	
56443871	56443871	1	ROD	
56448183	56448183	1	SPACER	
56448196	56448196	1	COUPLING	
58002429	58002429	1	CLAMPING SCREW	



Pos.	Id	Q.ty	Description	Note
58042167	58042167	1	SHEATH END	
58043855	58043855	1	GASKET	
58043874	58043874	1	SPRING	
58043881	58043881	1	SPRING	
59048181	59048181	1	DIFFERENTIAL GEAR	
59248490	59248490	1	DIFFERENTIAL GEAR	



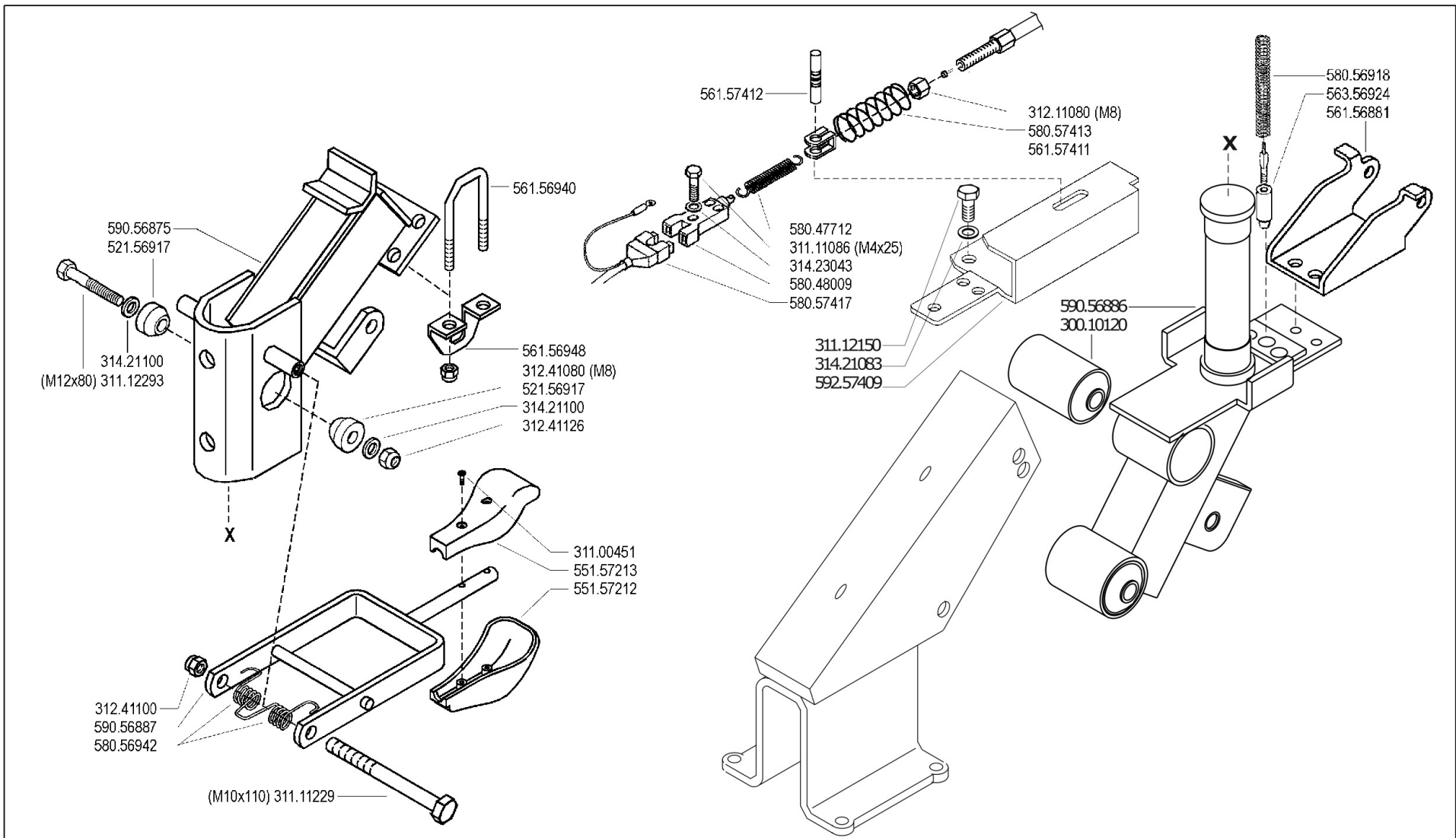


	600 serie MAX	DIFFERENZIALE (630M-650M)		DALLA MACCHINA DE LA MAQUINA DE LA MACHINE FROM THE MACHINE AB DER MASCHINE	ON. 872014 (630M) O	Rev.	G02 2
		DIFFERENTIEL DIFFERENCIAL	DIFFÉRENTIEL DIFFERENTIAL			01/2011	



Pos.	Id	Q.ty	Description	Note
31112152	31112152	1	SCREW TE M8X30 UNI 5739 8G	
31211100	31211100	1	NUT M10	
31241080	31241080	1	HEXAGON SELFLOCK NUT M8	
31312080	31312080	1	STUD BOLT M8X46X20X12	
31312102	31312102	1	STUD BOLT M10X40X24X12	
31411084	31411084	1	WASHER 8,4x17	
31423084	31423084	1	SPRING WASHER 8,4	
31423105	31423105	1	SPRING WASHER 10,5	
35111047	35111047	1	SEEGER RING I 47 DIN 472	
37111250	37111250	1	BEARING	
37111253	37111253	1	BEARING 6005 (25X47X12)	
38111400	38111400	1	O-RING (14,00X1,78)	
38213002	38213002	1	OIL SEAL 30X40X7	
52448187	52448187	1	AXLE SHAFT	
52448188	52448188	1	AXLE SHAFT	
53243851	53243851	1	HUB	
56143880	56143880	1	SMALL LEVER	
56143883	56143883	1	STOP	
56148184	56148184	1	RING	
56443871	56443871	1	ROD	
56448183	56448183	1	SPACER	
56448196	56448196	1	COUPLING	
58002429	58002429	1	CLAMPING SCREW	
58042167	58042167	1	SHEATH END	
58043855	58043855	1	GASKET	
58043874	58043874	1	SPRING	
58043881	58043881	1	SPRING	
59048181	59048181	1	DIFFERENTIAL GEAR	





	600 serie MAX	PIANTONE (620M-630M-630WSMAX-WS MUSTER) STEERING COLUMN COLUMNA	PLANTON LENKSÄULE	DALLA MACCHINA DE LA MAQUINA DE LA MACHINE FROM THE MACHINE AB DER MASCHINE	Rev. 0
				N.	H02 09/2004

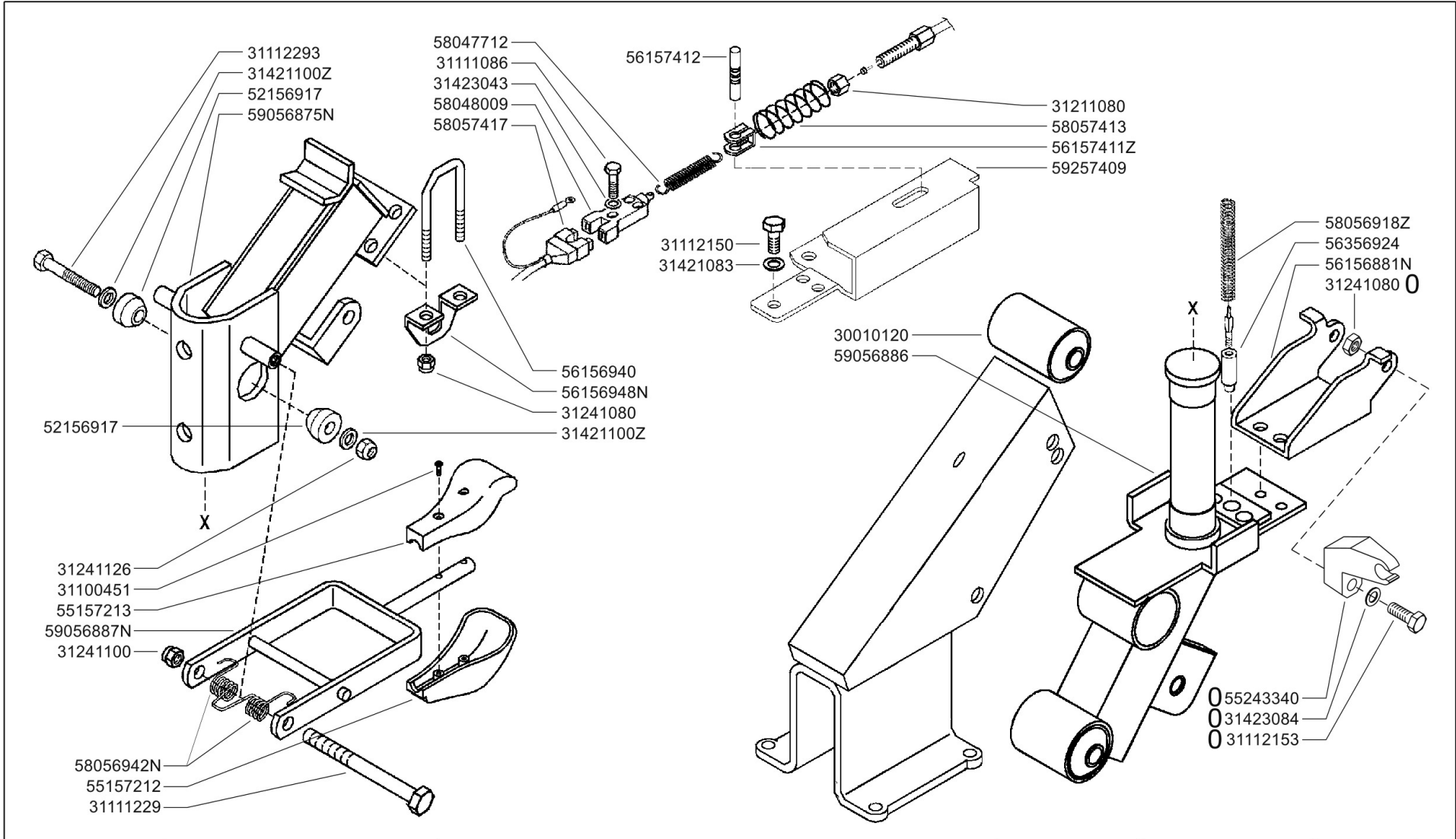


Pos.	Id	Q.ty	Description	Note
30010120	30010120	1	SILENT-BLOCK 12X40X58X66	
31100451	31100451	1	SCREW 3,5X25	
31111086	31111086	1	SCREW TE M4X25 UNI 5739 8G	
31111229	31111229	1	SCREW TE M10X110 UNI 5737 8G	
31112150	31112150	1	SCREW TE M8X20 UNI 5739 8G	
31112293	31112293	1	SCREW TE M12X80 UNI 5737	
31211080	31211080	1	NUT M8	
31241080	31241080	1	HEXAGON SELFLOCK NUT M8	
31241100	31241100	1	SELFLOCK HEXAGON NUT M10	
31241126	31241126	1	SELFLOCK NUT M12	
31421083	31421083	1	WASHER	
31421100	31421100	1	CUP SPRING 25X12,2X1,5 D2093	
31423043	31423043	1	SPRING WASHER 4,3	
52156917	52156917	1	WEDGE	
55157212	55157212	1	GRIP	
55157213	55157213	1	GRIP	
56156881	56156881	1	CONNECTION	
56156940	56156940	1	U BOLT	
56156948	56156948	1	STOP	
56157411	56157411	1	FORK	
56157412	56157412	1	PIN	
56356924	56356924	1	FERRULE	
58047712	58047712	1	SPRING	
58048009	58048009	1	ENGINE STOP SWITCH	
58056918	58056918	1	SPRING	
58056942	58056942	1	SPRING	
58057413	58057413	1	RETAINING SPRING	
58057417	58057417	1	WIRING MOT/STOP L=950	
59056875	59056875	1	COLUMN	



Pos.	Id	Q.ty	Description	Note
59056886	59056886	1	COLUMN	
59056887	59056887	1	LEVER	
59257409	59257409	1	SUPPORT	





	600 serie MAX	PIANTONE (620M-630M-630WSMAX-WS MUSTER) STEERING COLUMN COLUMNA	PLANTON LENKSÄULE	DALLA MACCHINA DE LA MAQUINA DE LA MACHINE FROM THE MACHINE AB DER MASCHINE ON.	ERRATA CORRIGE	H02	Rev.
							1
						10/2004	

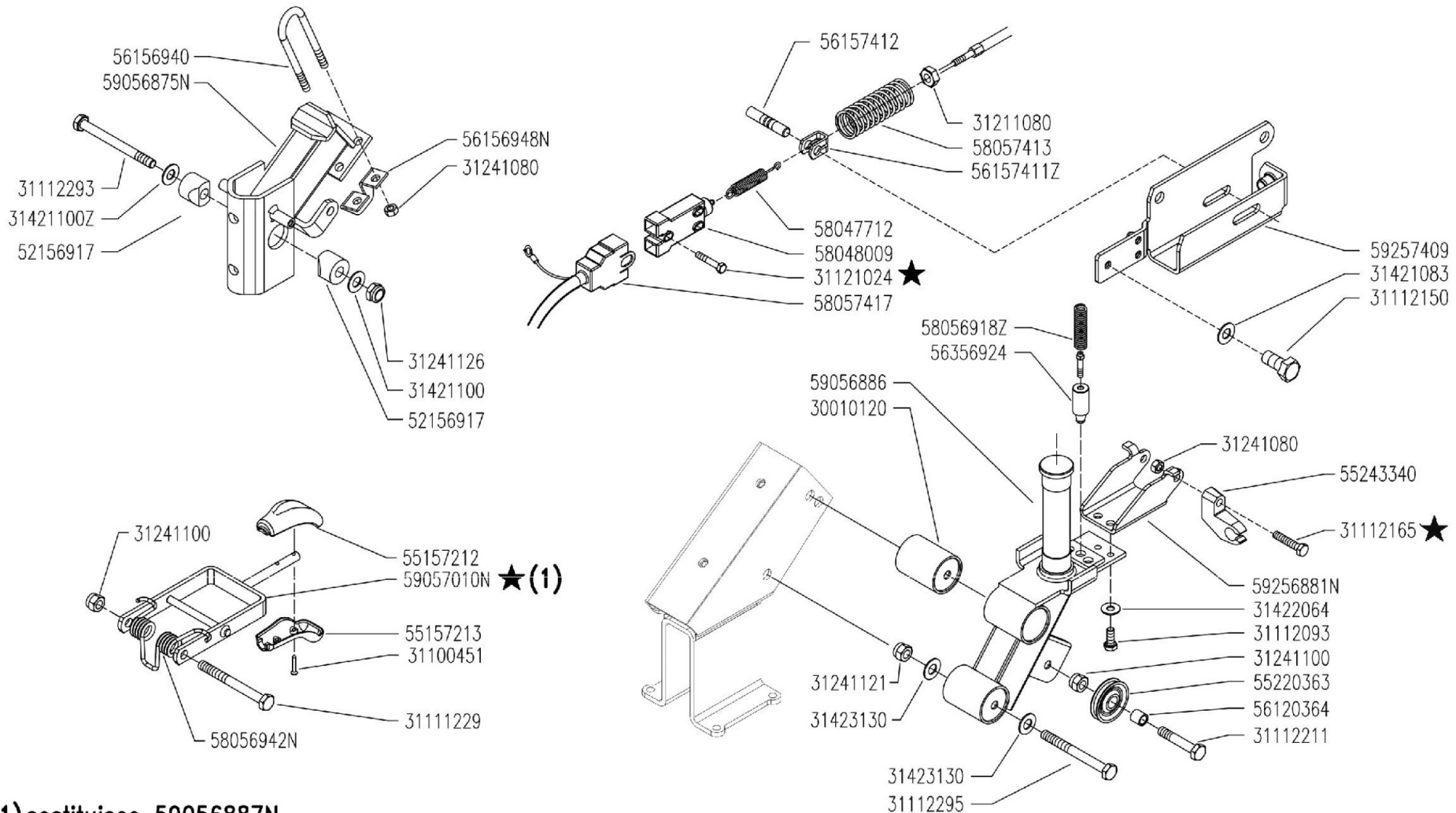


Pos.	Id	Q.ty	Description	Note
30010120	30010120	1	SILENT-BLOCK 12X40X58X66	
31100451	31100451	1	SCREW 3,5X25	
31111086	31111086	1	SCREW TE M4X25 UNI 5739 8G	
31111229	31111229	1	SCREW TE M10X110 UNI 5737 8G	
31112150	31112150	1	SCREW TE M8X20 UNI 5739 8G	
31112153	31112153	1	SCREW TE M8X35 UNI 5739 8G	
31112293	31112293	1	SCREW TE M12X80 UNI 5737	
31211080	31211080	1	NUT M8	
31241080	31241080	1	HEXAGON SELFLOCK NUT M8	
31241100	31241100	1	SELFLOCK HEXAGON NUT M10	
31241126	31241126	1	SELFLOCK NUT M12	
31421083	31421083	1	WASHER	
31423043	31423043	1	SPRING WASHER 4,3	
31423084	31423084	1	SPRING WASHER 8,4	
52156917	52156917	1	WEDGE	
55157212	55157212	1	GRIP	
55157213	55157213	1	GRIP	
55243340	55243340	1	SUPPORT	
56156940	56156940	1	U BOLT	
56157412	56157412	1	PIN	
56356924	56356924	1	FERRULE	
58047712	58047712	1	SPRING	
58048009	58048009	1	ENGINE STOP SWITCH	
58057413	58057413	1	RETAINING SPRING	
58057417	58057417	1	WIRING MOT/STOP L=950	
59056886	59056886	1	COLUMN	
59257409	59257409	1	SUPPORT	
31421100Z	31421100Z	1	CUP SPRING 25X12,2X1,5 D2093	
56156881N	56156881N	1	CONNECTION	



Pos.	Id	Q.ty	Description	Note
56156948N	56156948N	1	STOP	
56157411Z	56157411Z	1	FORK	
58056918Z	58056918Z	1	SPRING	
58056942N	58056942N	1	SPRING	
59056875N	59056875N	1	COLUMN	
59056887N	59056887N	1	LEVER	





(1) sostituisce 59056887N

	600 serie MAX	PIANTONE (620M-630M-630WS MAX-WS MUSTER)		DALLA MACCHINA DE LA MAQUINA DE LA MACHINA FROM THE MACHINE AB DER MASCHINE ★ N.	AGGIORNAMENTO	H02	Rev.
		STEERING COLUMN COLUMNNA	PLANTON LENKSÄULE		APLAZAMIENTO MISE A JOUR REVISION ANPASSUNG		2
						09/2010	DATE: BCS - Scala 1:f

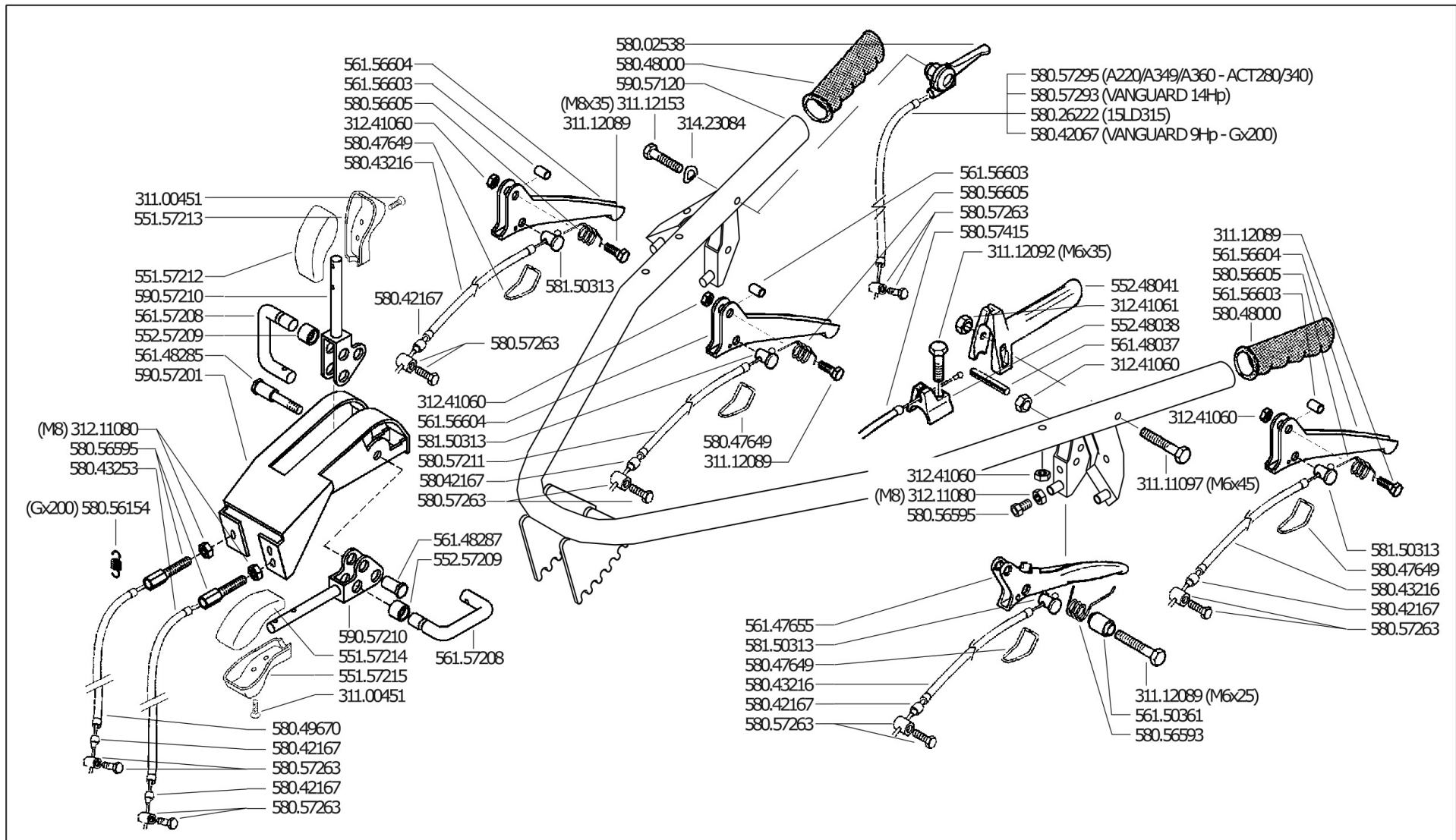


Pos.	Id	Q.ty	Description	Note
30010120	30010120	1	SILENT-BLOCK 12X40X58X66	
31100451	31100451	1	SCREW 3,5X25	
31111229	31111229	1	SCREW TE M10X110 UNI 5737 8G	
31112150	31112150	1	SCREW TE M8X20 UNI 5739 8G	
31112165	31112165	1	SCREW TE C/F M8X35 DIN 6921 8G	
31112293	31112293	1	SCREW TE M12X80 UNI 5737	
31121024	31121024	1	SCREW TBCEI FL.M4X25	
31211080	31211080	1	NUT M8	
31241080	31241080	1	HEXAGON SELFLOCK NUT M8	
31241100	31241100	1	SELFLOCK HEXAGON NUT M10	
31241126	31241126	1	SELFLOCK NUT M12	
31421083	31421083	1	WASHER	
52156917	52156917	1	WEDGE	
55157212	55157212	1	GRIP	
55157213	55157213	1	GRIP	
55243340	55243340	1	SUPPORT	
56156940	56156940	1	U BOLT	
56157412	56157412	1	PIN	
56356924	56356924	1	FERRULE	
58047712	58047712	1	SPRING	
58048009	58048009	1	ENGINE STOP SWITCH	
58057413	58057413	1	RETAINING SPRING	
58057417	58057417	1	WIRING MOT/STOP L=950	
59056886	59056886	1	COLUMN	
59257409	59257409	1	SUPPORT	
31421100Z	31421100Z	1	CUP SPRING 25X12,2X1,5 D2093	
56156881N	56156881N	1	CONNECTION	
56156948N	56156948N	1	STOP	
56157411Z	56157411Z	1	FORK	



Pos.	Id	Q.ty	Description	Note
58056918Z	58056918Z	1	SPRING	
58056942N	58056942N	1	SPRING	
59056875N	59056875N	1	COLUMN	
59057010N	59057010N	1	LEVER	





600 serie MAX

HANDLEBAR
MANILLAR

MANUBRIO (630M)

MANCHERON
LENKER

DALLA MACCHINA
DE LA MAQUINA
DE LA MACHINE
FROM THE MACHINE
AB DER MASCHINE

N.

I03

09/2004

Rev.
0

ZENNE

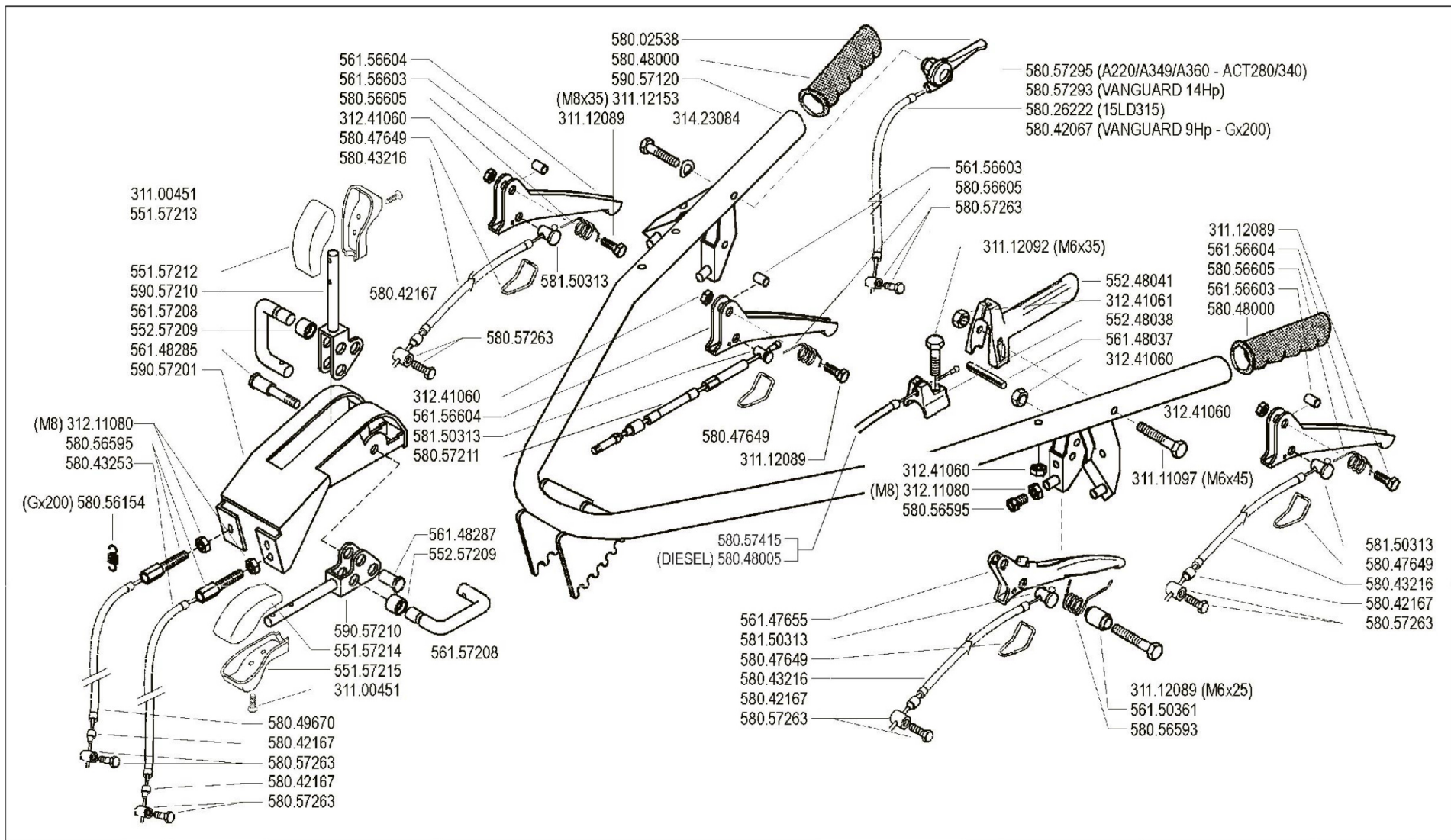



Pos.	Id	Q.ty	Description	Note
31100451	31100451	1	SCREW 3,5X25	
31111097	31111097	1	SCREW TE M6X45 UNI 5737 8G	
31112089	31112089	1	SCREW TE M6X25 UNI 5739 8G	
31112092	31112092	1	SCREW TE M6X35 UNI 5739 8G	
31112153	31112153	1	SCREW TE M8X35 UNI 5739 8G	
31211080	31211080	1	NUT M8	
31241060	31241060	1	HEXAGON SELFLOCK NUT M6	
31241061	31241061	1	SELFLOCK NUT M6 6S	
31423084	31423084	1	SPRING WASHER 8,4	
55157212	55157212	1	GRIP	
55157213	55157213	1	GRIP	
55157214	55157214	1	GRIP	
55157215	55157215	1	GRIP	
55248038	55248038	1	STOP	
55248041	55248041	1	LEVER	
55257209	55257209	1	BUSHING	
56147655	56147655	1	CLUTCH LEVER	
56148037	56148037	1	LEVER STOP	
56148285	56148285	1	PIN	
56148287	56148287	1	STUD BOLT	
56150361	56150361	1	SPACER	
56156603	56156603	1	SPACER	
56156604	56156604	1	CLUTCH LEVER	
56157208	56157208	1	U BOLT	
58002538	58002538	1	ACCELERATOR	
58026222	58026222	1	LINE AND SHEATH (L=1380)	
58042067	58042067	1	LINE AND SHEATH (L=1710)	
58042167	58042167	1	SHEATH END	
58043216	58043216	1	LINE AND SHEATH (L=1160)	



Pos.	Id	Q.ty	Description	Note
58043253	58043253	1	LINE AND SHEATH (L=1200)	
58047649	58047649	1	CLEVIS	
58048000	58048000	1	KNOB D=27	
58049670	58049670	1	LINE AND SHEATH (L=1080)	
58056154	58056154	1	RESTORING SPRING	
58056593	58056593	1	SPRING	
58056595	58056595	1	ADJUSTING SCREW M8	
58056605	58056605	1	SPRING	
58057211	58057211	1	TRANSMISSION	
58057263	58057263	1	CLAMPING SCREW	
58057293	58057293	1	LINE AND SHEATH (L=1310)	
58057295	58057295	1	LINE AND SHEATH (L=1170)	
58057415	58057415	1	LINE AND SHEATH M/S L=940 MF/04	
58150313	58150313	1	CABLE CLAMP	
59057120	59057120	1	COMPLETE HANDLE BAR	
59057201	59057201	1	SUPPORT	
59057210	59057210	1	COMMAND LEVER	





	600 serie MAX	MANUBRIO (630M) HANDLEBAR MANILLAR	MANCHERON LENKER	DALLA MACCHINA DE LA MAQUINA DE LA MACHINE FROM THE MACHINE AB DER MASCHINE	ERRATA CORRIGE	I03	Rev. 1
				N.			10/2004

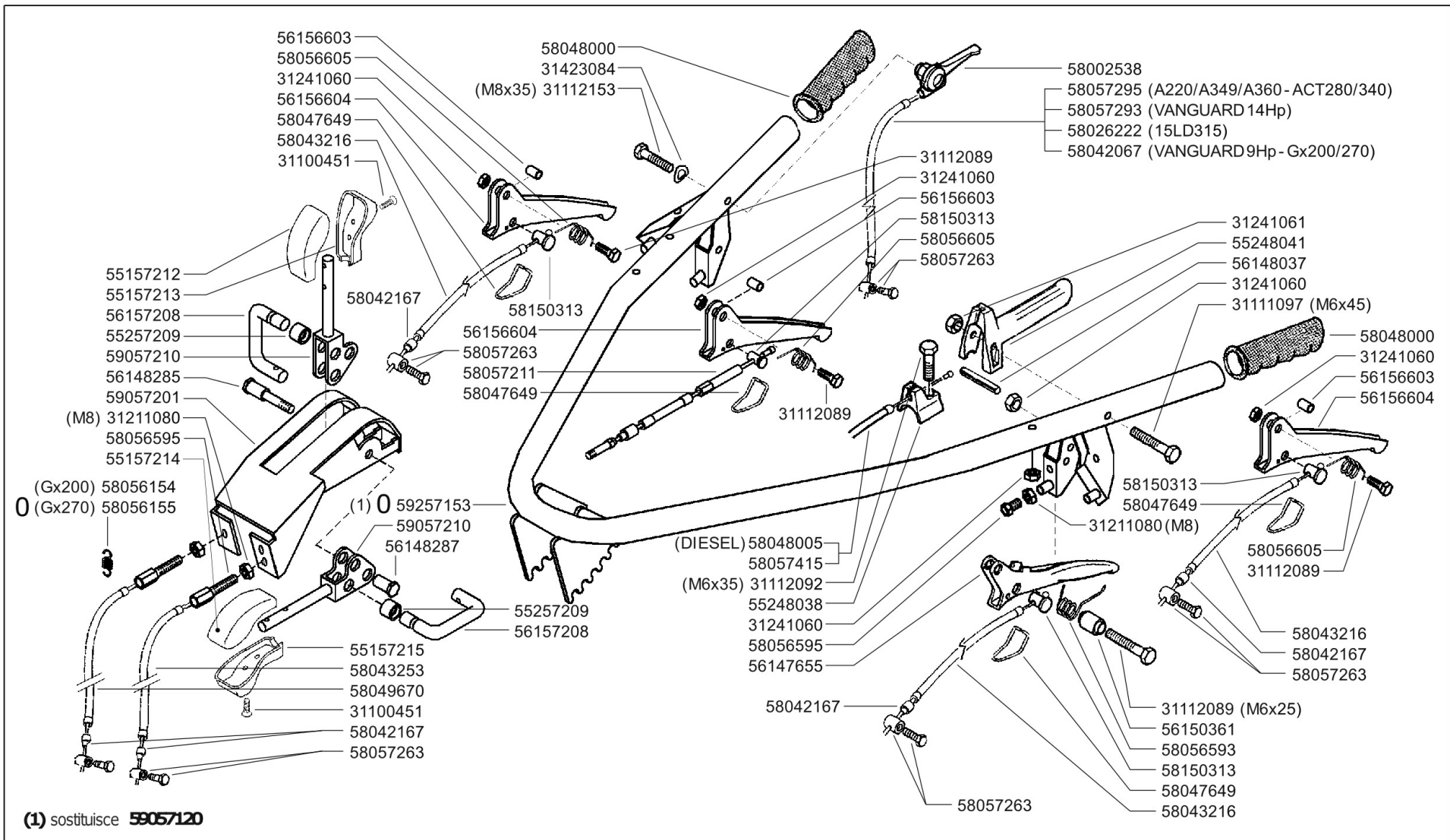



Pos.	Id	Q.ty	Description	Note
31100451	31100451	1	SCREW 3,5X25	
31111097	31111097	1	SCREW TE M6X45 UNI 5737 8G	
31112089	31112089	1	SCREW TE M6X25 UNI 5739 8G	
31112092	31112092	1	SCREW TE M6X35 UNI 5739 8G	
31112153	31112153	1	SCREW TE M8X35 UNI 5739 8G	
31211080	31211080	1	NUT M8	
31241060	31241060	1	HEXAGON SELFLOCK NUT M6	
31241061	31241061	1	SELFLOCK NUT M6 6S	
31423084	31423084	1	SPRING WASHER 8,4	
55157212	55157212	1	GRIP	
55157213	55157213	1	GRIP	
55157214	55157214	1	GRIP	
55157215	55157215	1	GRIP	
55248038	55248038	1	STOP	
55248041	55248041	1	LEVER	
55257209	55257209	1	BUSHING	
56147655	56147655	1	CLUTCH LEVER	
56148037	56148037	1	LEVER STOP	
56148285	56148285	1	PIN	
56148287	56148287	1	STUD BOLT	
56150361	56150361	1	SPACER	
56156603	56156603	1	SPACER	
56156604	56156604	1	CLUTCH LEVER	
56157208	56157208	1	U BOLT	
58002538	58002538	1	ACCELERATOR	
58026222	58026222	1	LINE AND SHEATH (L=1380)	
58042067	58042067	1	LINE AND SHEATH (L=1710)	
58042167	58042167	1	SHEATH END	
58043216	58043216	1	LINE AND SHEATH (L=1160)	



Pos.	Id	Q.ty	Description	Note
58043253	58043253	1	LINE AND SHEATH (L=1200)	
58047649	58047649	1	CLEVIS	
58048000	58048000	1	KNOB D=27	
58048005	58048005	1	LINE AND SHEATH (L=1170)	
58049670	58049670	1	LINE AND SHEATH (L=1080)	
58056154	58056154	1	RESTORING SPRING	
58056593	58056593	1	SPRING	
58056595	58056595	1	ADJUSTING SCREW M8	
58056605	58056605	1	SPRING	
58057211	58057211	1	TRANSMISSION	
58057263	58057263	1	CLAMPING SCREW	
58057293	58057293	1	LINE AND SHEATH (L=1310)	
58057295	58057295	1	LINE AND SHEATH (L=1170)	
58057415	58057415	1	LINE AND SHEATH M/S L=940 MF/04	
58150313	58150313	1	CABLE CLAMP	
59057120	59057120	1	COMPLETE HANDLE BAR	
59057201	59057201	1	SUPPORT	
59057210	59057210	1	COMMAND LEVER	





	<h1>600 serie MAX</h1>	MANUBRIO (630M) HANDLEBAR MANILLAR	MANCHERON LENKER	DALLA MACCHINA DE LA MAQUINA DE LA MACHINE FROM THE MACHINE AB DER MASCHINE		AGGIORNAMENTO	<div style="font-size: 2em; font-weight: bold;">I03</div> <div style="font-size: 2em; font-weight: bold;">2</div>	Rev. <div style="font-size: 2em; font-weight: bold;">07/2006</div>
				ON.		REVISION		
				ON.		MISE A JOUR		
				ON.		APLAZAMIENTO		
				ON.		ANPASSUNG		



Pos.	Id	Q.ty	Description	Note
31100451	31100451	1	SCREW 3,5X25	
31111097	31111097	1	SCREW TE M6X45 UNI 5737 8G	
31112089	31112089	1	SCREW TE M6X25 UNI 5739 8G	
31112092	31112092	1	SCREW TE M6X35 UNI 5739 8G	
31112153	31112153	1	SCREW TE M8X35 UNI 5739 8G	
31211080	31211080	1	NUT M8	
31241060	31241060	1	HEXAGON SELFLOCK NUT M6	
31241061	31241061	1	SELFLOCK NUT M6 6S	
31423084	31423084	1	SPRING WASHER 8,4	
55157212	55157212	1	GRIP	
55157213	55157213	1	GRIP	
55157214	55157214	1	GRIP	
55157215	55157215	1	GRIP	
55248038	55248038	1	STOP	
55248041	55248041	1	LEVER	
55257209	55257209	1	BUSHING	
56147655	56147655	1	CLUTCH LEVER	
56148037	56148037	1	LEVER STOP	
56148285	56148285	1	PIN	
56148287	56148287	1	STUD BOLT	
56150361	56150361	1	SPACER	
56156603	56156603	1	SPACER	
56156604	56156604	1	CLUTCH LEVER	
56157208	56157208	1	U BOLT	
58002538	58002538	1	ACCELERATOR	
58026222	58026222	1	LINE AND SHEATH (L=1380)	
58042067	58042067	1	LINE AND SHEATH (L=1710)	
58042167	58042167	1	SHEATH END	
58043216	58043216	1	LINE AND SHEATH (L=1160)	



Pos.	Id	Q.ty	Description	Note
58043253	58043253	1	LINE AND SHEATH (L=1200)	
58047649	58047649	1	CLEVIS	
58048000	58048000	1	KNOB D=27	
58048005	58048005	1	LINE AND SHEATH (L=1170)	
58049670	58049670	1	LINE AND SHEATH (L=1080)	
58056154	58056154	1	RESTORING SPRING	
58056155	58056155	1	RESTORING SPRING	
58056593	58056593	1	SPRING	
58056595	58056595	1	ADJUSTING SCREW M8	
58056605	58056605	1	SPRING	
58057211	58057211	1	TRANSMISSION	
58057263	58057263	1	CLAMPING SCREW	
58057293	58057293	1	LINE AND SHEATH (L=1310)	
58057295	58057295	1	LINE AND SHEATH (L=1170)	
58057415	58057415	1	LINE AND SHEATH M/S L=940 MF/04	
58150313	58150313	1	CABLE CLAMP	
59057201	59057201	1	SUPPORT	
59057210	59057210	1	COMMAND LEVER	
59257153	59257153	1	HANDLE BAR	

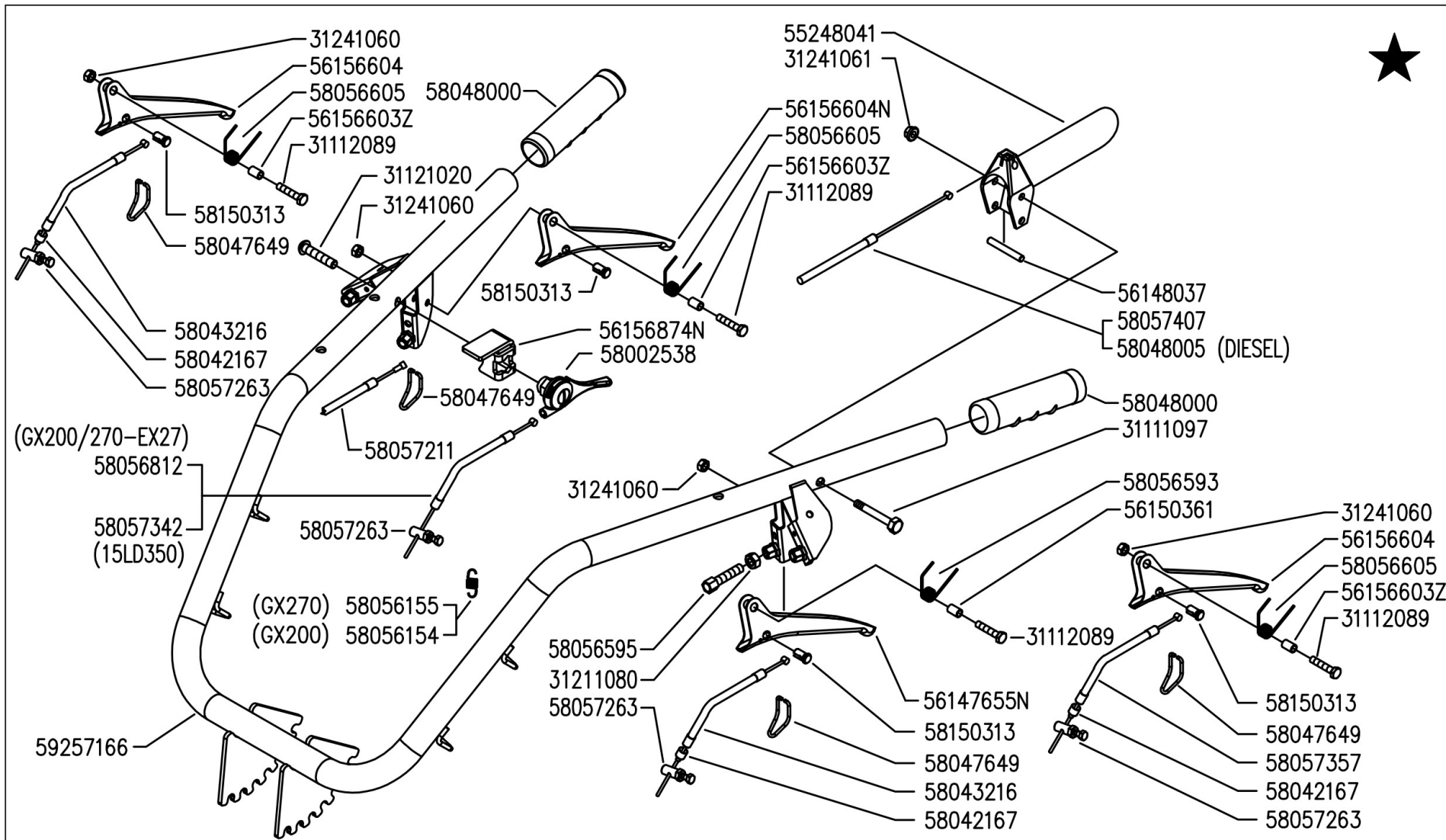


Pos.	Id	Q.ty	Description	Note
31100451	31100451	1	SCREW 3,5X25	
31111097	31111097	1	SCREW TE M6X45 UNI 5737 8G	
31112089	31112089	1	SCREW TE M6X25 UNI 5739 8G	
31112092	31112092	1	SCREW TE M6X35 UNI 5739 8G	
31112153	31112153	1	SCREW TE M8X35 UNI 5739 8G	
31211080	31211080	1	NUT M8	
31241060	31241060	1	HEXAGON SELFLOCK NUT M6	
31241061	31241061	1	SELFLOCK NUT M6 6S	
31423084	31423084	1	SPRING WASHER 8,4	
55157212	55157212	1	GRIP	
55157213	55157213	1	GRIP	
55157214	55157214	1	GRIP	
55157215	55157215	1	GRIP	
55248038	55248038	1	STOP	
55248041	55248041	1	LEVER	
55257209	55257209	1	BUSHING	
56147655	56147655	1	CLUTCH LEVER	
56148037	56148037	1	LEVER STOP	
56148285	56148285	1	PIN	
56148287	56148287	1	STUD BOLT	
56150361	56150361	1	SPACER	
56156603	56156603	1	SPACER	
56156604	56156604	1	CLUTCH LEVER	
56157208	56157208	1	U BOLT	
58002538	58002538	1	ACCELERATOR	
58026222	58026222	1	LINE AND SHEATH (L=1380)	
58042067	58042067	1	LINE AND SHEATH (L=1710)	
58042167	58042167	1	SHEATH END	
58043216	58043216	1	LINE AND SHEATH (L=1160)	



Pos.	Id	Q.ty	Description	Note
58043253	58043253	1	LINE AND SHEATH (L=1200)	
58047649	58047649	1	CLEVIS	
58048000	58048000	1	KNOB D=27	
58048005	58048005	1	LINE AND SHEATH (L=1170)	
58049670	58049670	1	LINE AND SHEATH (L=1080)	
58056154	58056154	1	RESTORING SPRING	
58056155	58056155	1	RESTORING SPRING	
58056593	58056593	1	SPRING	
58056595	58056595	1	ADJUSTING SCREW M8	
58056605	58056605	1	SPRING	
58056812	58056812	1	LINE AND SHEATH L=1680	
58057211	58057211	1	TRANSMISSION	
58057263	58057263	1	CLAMPING SCREW	
58057295	58057295	1	LINE AND SHEATH (L=1170)	
58057415	58057415	1	LINE AND SHEATH M/S L=940 MF/04	
58150313	58150313	1	CABLE CLAMP	
59057201	59057201	1	SUPPORT	
59057210	59057210	1	COMMAND LEVER	
59257153	59257153	1	HANDLE BAR	





	600 serie MAX	HANDLEBAR MANILLAR	MANUBRIO (630MAX)	MANCHERON LINCHER	DALLA MACCHINA DE LA MAQUINA FROM THE MACHINE AB DER MASCHINE ★ N.	<input type="text"/>	103	Rev. 4
						<input type="text"/>		

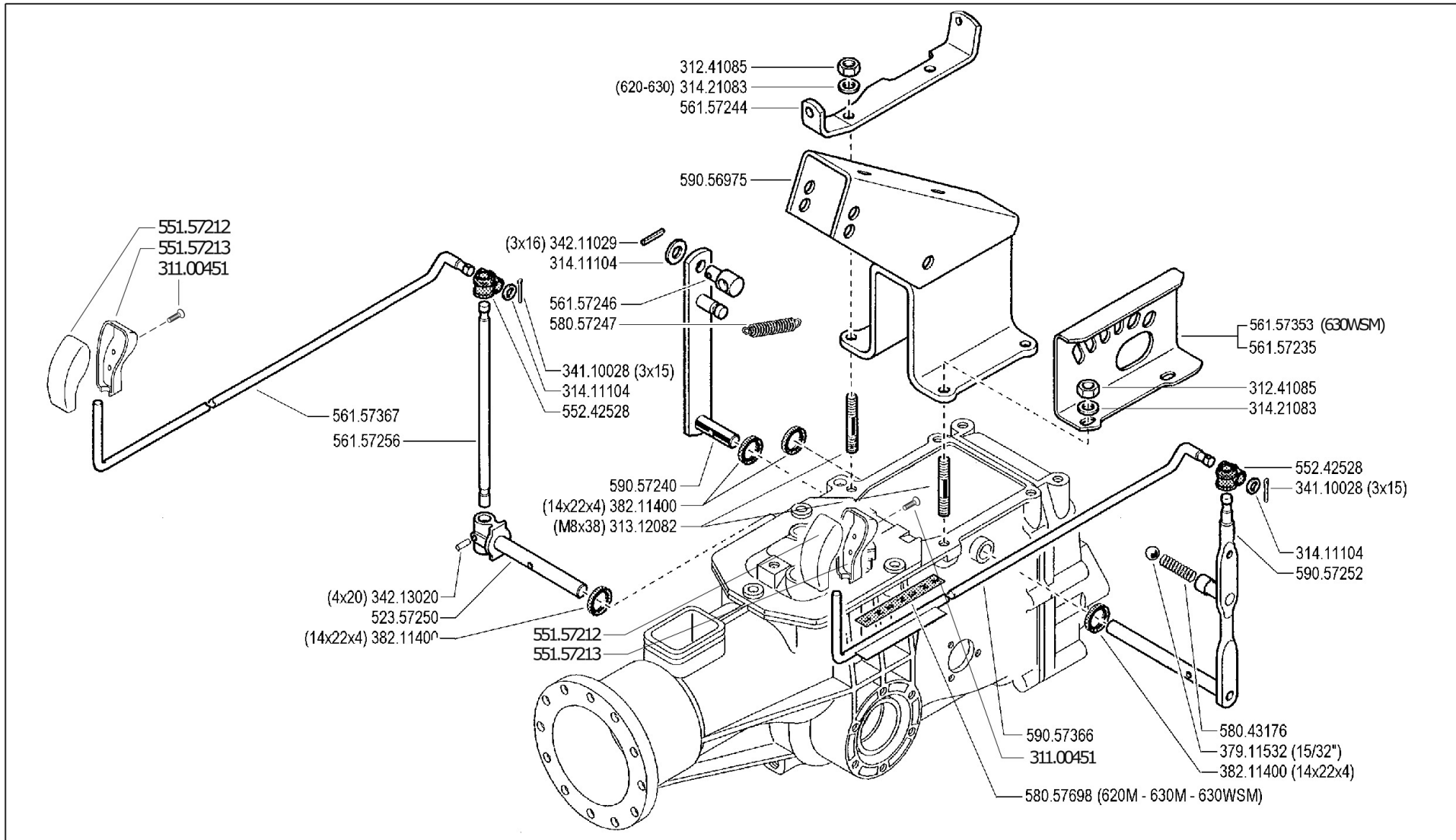


Pos.	Id	Q.ty	Description	Note
31111097	31111097	1	SCREW TE M6X45 UNI 5737 8G	
31112089	31112089	1	SCREW TE M6X25 UNI 5739 8G	
31121020	31121020	1	SCREW TBCEI M8X40 ISO7380 10K Z	
31211080	31211080	1	NUT M8	
31241060	31241060	1	HEXAGON SELFLOCK NUT M6	
31241061	31241061	1	SELFLOCK NUT M6 6S	
55248041	55248041	1	LEVER	
56147655N	56147655N	1	CLUTCH LEVER	
56148037	56148037	1	LEVER STOP	
56150361	56150361	1	SPACER	
56156603Z	56156603Z	1	SPACER	
56156604	56156604	1	CLUTCH LEVER	
56156604N	56156604N	1	CLUTCH LEVER	
56156874N	56156874N	1	PANEL	
58002538	58002538	1	ACCELERATOR	
58042167	58042167	1	SHEATH END	
58043216	58043216	1	LINE AND SHEATH (L=1160)	
580432016	58043216		LINE AND SHEATH (L=1160)	
58047649	58047649	1	CLEVIS	
58048000	58048000	1	KNOB D=27	
58048005	58048005	1	LINE AND SHEATH (L=1170)	
58056154	58056154	1	RESTORING SPRING	
58056155	58056155	1	RESTORING SPRING	
58056593	58056593	1	SPRING	
58056595	58056595	1	ADJUSTING SCREW M8	
58056605	58056605	1	SPRING	
58056812	58056812	1	LINE AND SHEATH L=1680	
58057211	58057211	1	TRANSMISSION	
58057263	58057263	1	CLAMPING SCREW	



Pos.	Id	Q.ty	Description	Note
58057342	58057342	1	LINE AND SHEATH (L=1470)	
58057357	58057357	1	LINE AND SHEATH L=940	
58057407	58057407	1	LINE AND SHEATH M/S L=945 /10	
58150313	58150313	1	CABLE CLAMP	
59257166	59257166	1	HANDLE BAR	



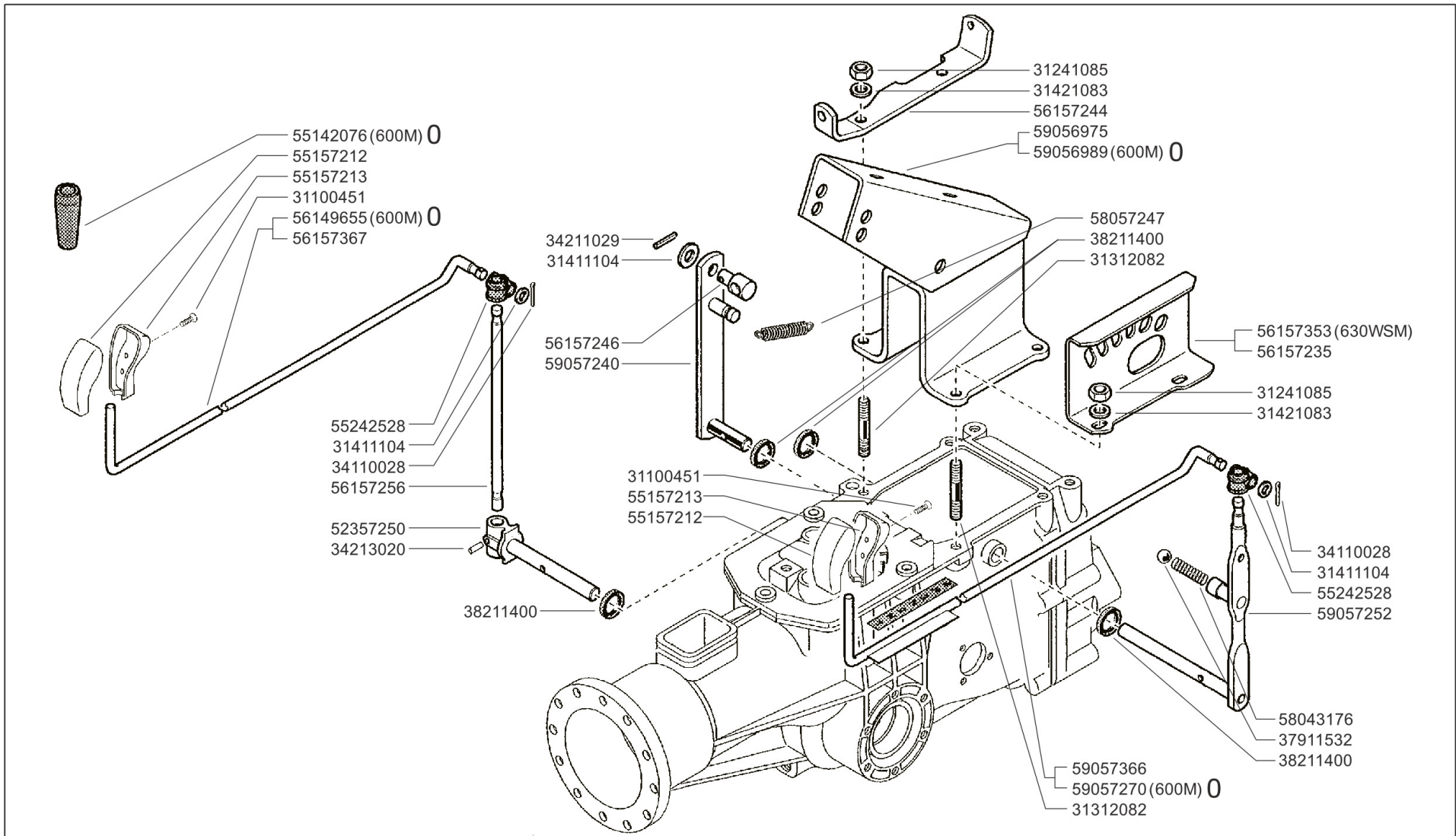


	600 serie MAX	COMANDI (620M-630M-630WSMAX-WS MUSTER)		DALLA MACCHINA DE LA MAQUINA DE LA MACHINE FROM THE MACHINE AB DER MASCHINE	Rev.
		CONTROLS MANDOS	COMMANDES ANTRIEBE		J02
				N.	09/2004



Pos.	Id	Q.ty	Description	Note
31100451	31100451	1	SCREW 3,5X25	
31241085	31241085	1	SELFLOCK NUT M8 6S	
31312082	31312082	1	STUD BOLT M8X38X14X20	
31411104	31411104	1	WASHER 10,5x18	
31421083	31421083	1	WASHER	
34110028	34110028	1	SPLIT PIN A3X15 UNI 1336	
34211029	34211029	1	ROLL PIN	
34213020	34213020	1	ROLL PIN	
37911532	37911532	1	BALL 15/32	
38211400	38211400	1	OIL SEAL 14X22X4	
52357250	52357250	1	PIN	
55157212	55157212	1	GRIP	
55157213	55157213	1	GRIP	
55242528	55242528	1	JOINT	
56157235	56157235	1	GEAR SELECTOR	
56157244	56157244	1	STOP	
56157246	56157246	1	STOP	
56157256	56157256	1	PTO LEVER	
56157353	56157353	1	GEAR SELECTOR	
56157367	56157367	1	ROD	
58043176	58043176	1	SPRING	
58057247	58057247	1	SPRING	
58057698	58057698	1	DECAL	
59056975	59056975	1	SUPPORT	
59057240	59057240	1	LEVER	
59057252	59057252	1	GEAR LEVER	
59057366	59057366	1	PULL ROD	





	600 serie MAX	COMANDI (600M O - 620M - 630M - 630WSMAX - WS MUSTER)		DALLA MACCHINA DE LA MAQUINA DE LA MACHINE FROM THE MACHINE AB DER MASCHINE 0 N.	AGGIORNAMENTO	J02	Rev.
		CONTROLS MANDOS	COMMANDES ANTRIEBE		REVISION		1
					MISE A JOUR	06/2006	
					APLAZAMIENTO ANPASSUNG		

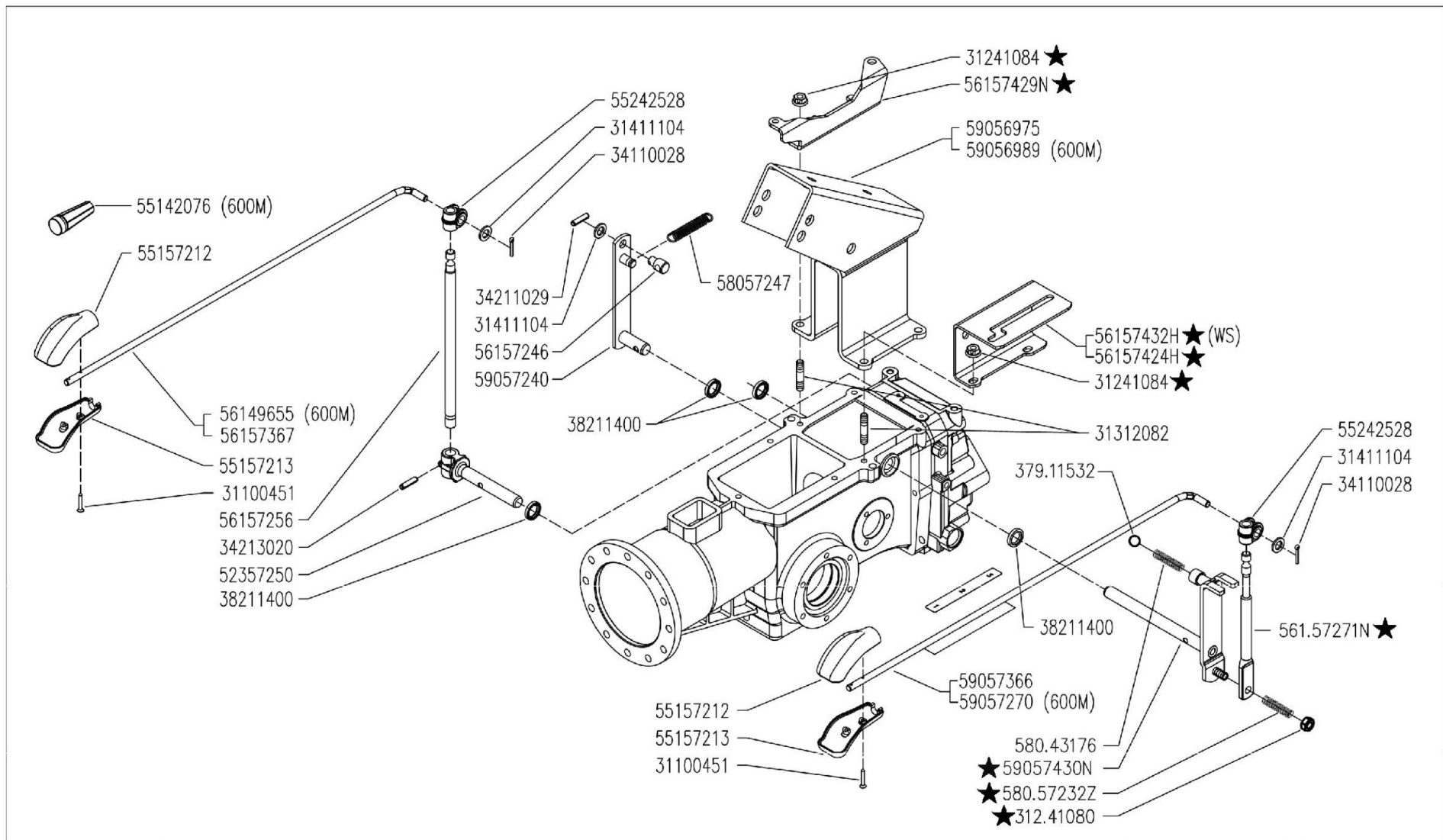



Pos.	Id	Q.ty	Description	Note
31100451	31100451	1	SCREW 3,5X25	
31241085	31241085	1	SELFLOCK NUT M8 6S	
31312082	31312082	1	STUD BOLT M8X38X14X20	
31411104	31411104	1	WASHER 10,5x18	
31421083	31421083	1	WASHER	
34110028	34110028	1	SPLIT PIN A3X15 UNI 1336	
34211029	34211029	1	ROLL PIN	
34213020	34213020	1	ROLL PIN	
37911532	37911532	1	BALL 15/32	
38211400	38211400	1	OIL SEAL 14X22X4	
52357250	52357250	1	PIN	
55142076	55142076	1	KNOB	
55157212	55157212	1	GRIP	
55157213	55157213	1	GRIP	
55242528	55242528	1	JOINT	
56149655	56149655	1	PULL ROD	
56157235	56157235	1	GEAR SELECTOR	
56157244	56157244	1	STOP	
56157246	56157246	1	STOP	
56157256	56157256	1	PTO LEVER	
56157353	56157353	1	GEAR SELECTOR	
56157367	56157367	1	ROD	
58043176	58043176	1	SPRING	
58057247	58057247	1	SPRING	
58057698	58057698	1	DECAL	
59056975	59056975	1	SUPPORT	
59056989	59056989	1	SUPPORT	
59057240	59057240	1	LEVER	
59057252	59057252	1	GEAR LEVER	



Pos.	Id	Q.ty	Description	Note
59057270	59057270	1	GEARSHIFT ROD	
59057366	59057366	1	PULL ROD	





	600 serie MAX	COMANDI (600M-620M-630M-630WS MAX-WS MUSTER)		DALLA MACCHINA DE LA MAQUINA FROM THE MACHINE AB DER MASCHINE	<div style="border: 1px solid black; width: 40px; height: 20px; margin-bottom: 5px;"></div> <div style="border: 1px solid black; width: 40px; height: 20px; margin-bottom: 5px;"></div> <div style="border: 1px solid black; width: 40px; height: 20px; margin-bottom: 5px;"></div> <div style="border: 1px solid black; width: 40px; height: 20px; margin-bottom: 5px;"></div>	<div style="font-size: 2em; font-weight: bold;">J02</div>	<div style="font-size: 1.5em; font-weight: bold;">2</div>	Rev. 2
		CONTROLS MANDOS	COMMANDES ANTRIEBE					

DITE.BCS - Scala 1:6

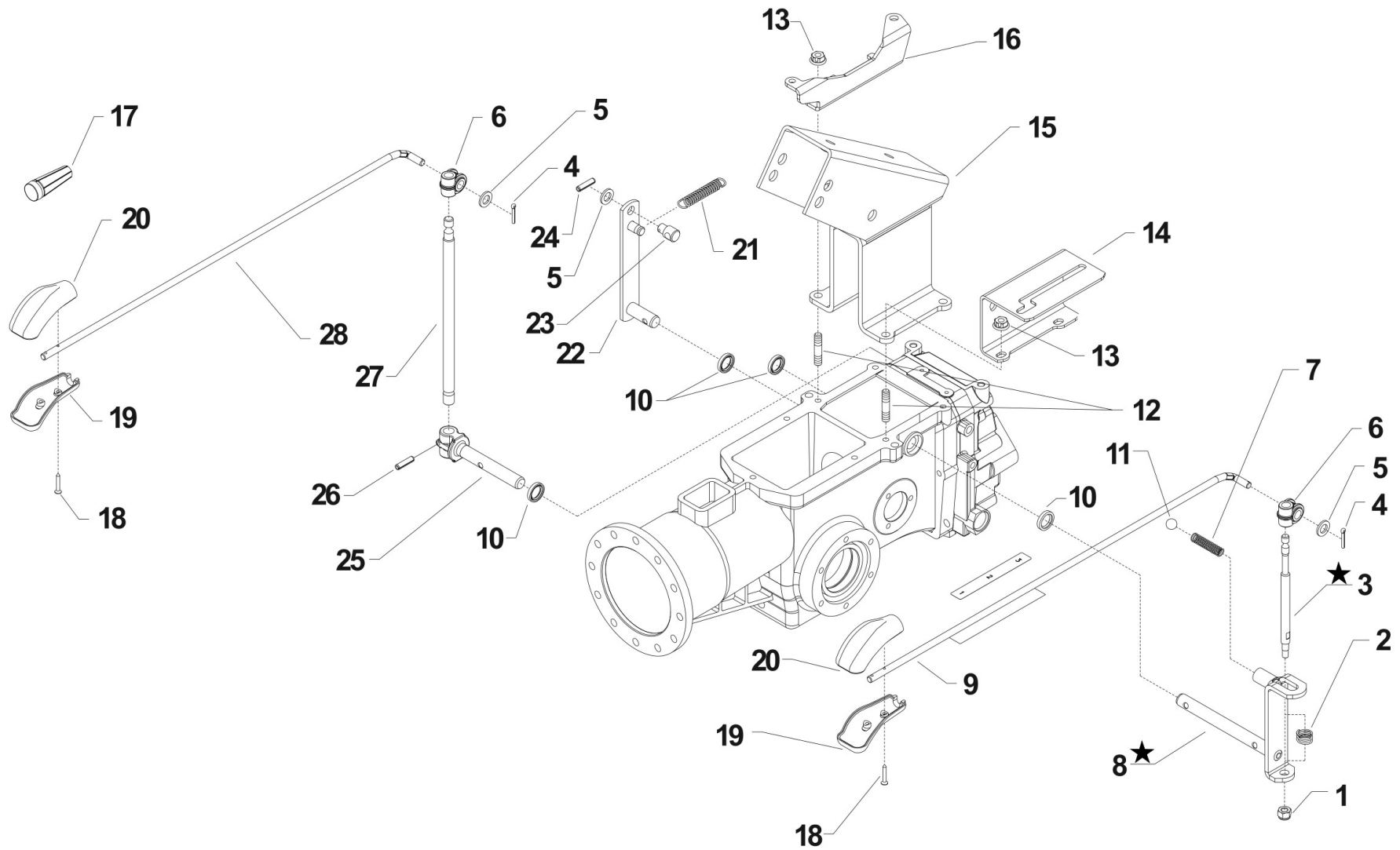


Pos.	Id	Q.ty	Description	Note
31100451	31100451	1	SCREW 3,5X25	
31241080	31241080	1	HEXAGON SELFLOCK NUT M8	
31241084	31241084	1	SELFLOCK NUT M8 6S	
31312082	31312082	1	STUD BOLT M8X38X14X20	
31411104	31411104	1	WASHER 10,5x18	
34110028	34110028	1	SPLIT PIN A3X15 UNI 1336	
34211029	34211029	1	ROLL PIN	
34213020	34213020	1	ROLL PIN	
37911532	37911532	1	BALL 15/32	
38211400	38211400	1	OIL SEAL 14X22X4	
52357250	52357250	1	PIN	
55142076	55142076	1	KNOB	
55157212	55157212	1	GRIP	
55157213	55157213	1	GRIP	
55242528	55242528	1	JOINT	
56149655	56149655	1	PULL ROD	
56157246	56157246	1	STOP	
56157256	56157256	1	PTO LEVER	
56157367	56157367	1	ROD	
58043176	58043176	1	SPRING	
58057247	58057247	1	SPRING	
58057698	58057698	1	DECAL	
59056975	59056975	1	SUPPORT	
59056989	59056989	1	SUPPORT	
59057240	59057240	1	LEVER	
59057270	59057270	1	GEARSHIFT ROD	
59057366	59057366	1	PULL ROD	
56157271N	56157271N	1	COMMAND LEVER	
56157424H	56157424H	1	GEARS SELECTOR	



Pos.	Id	Q.ty	Description	Note
56157429N	56157429N	1	CONTRASTO LEVA INVERTITORE MF	
56157432H	56157432H	1	SPEED SELECTOR	
58057232Z	58057232Z	1	SPRING	
59057430N	59057430N	1	COMPLETE GEAR LEVER	





i = info - stop 2 sec. ★ = new part

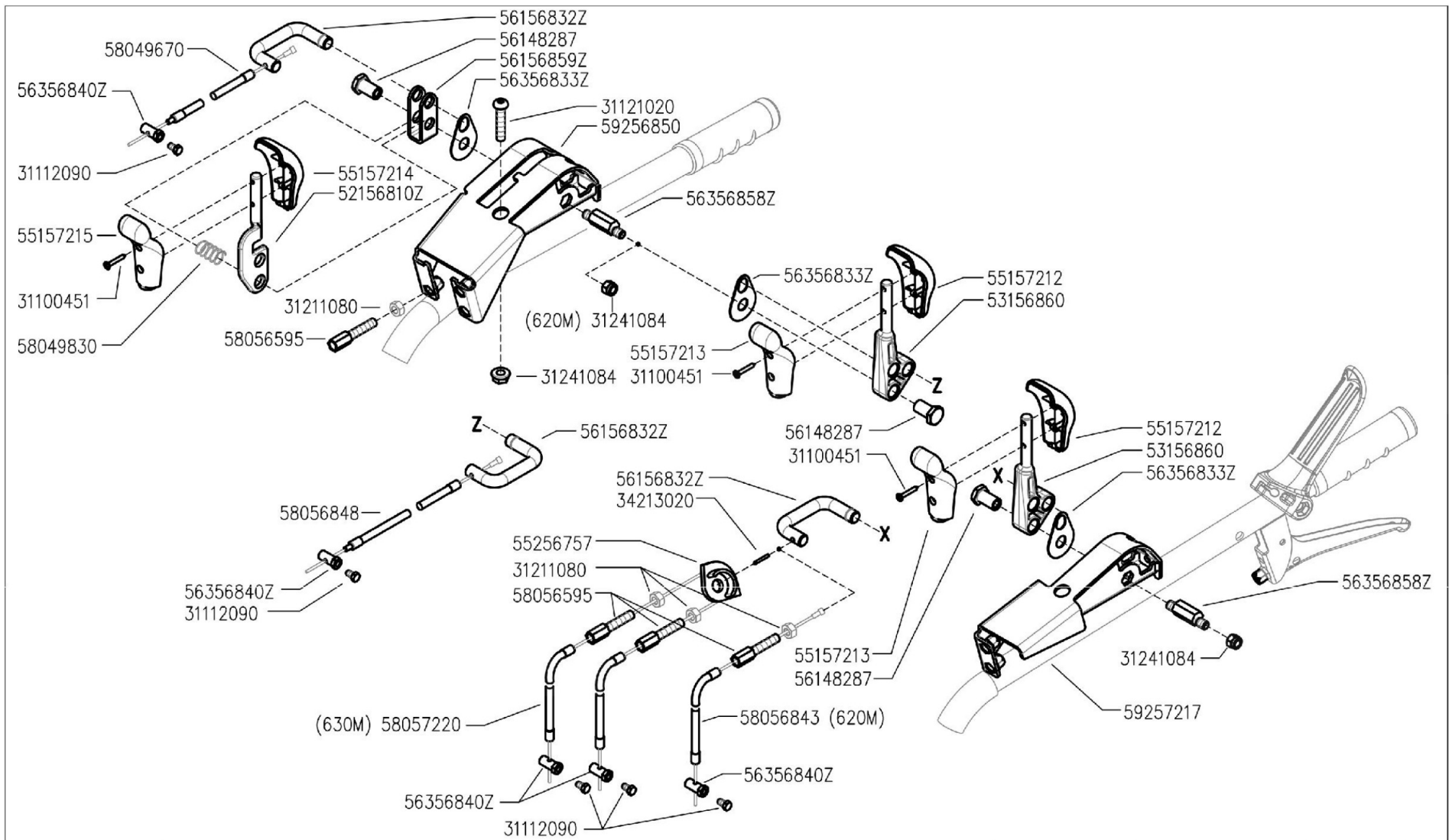


Pos.	Id	Q.ty	Description	Note
1	31241080		HEXAGON SELFLOCK NUT M8	
2	58057232Z		SPRING	
3	56356738Z		COMMAND LEVER	REPLACES 59057430N + 56157271N
4	34110028		SPLIT PIN A3X15 UNI 1336	
5	31411104		WASHER 10,5x18	
6	55242528		JOINT	
7	58043176		SPRING	
8	590C1008N		GEAR LEVER	REPLACES 59057430N + 56157271N
9	59057270		GEARSHIFT ROD	600M
9	59057366		PULL ROD	
10	38211400		OIL SEAL 14X22X4	
11	37911532		BALL 15/32	
12	31312082		STUD BOLT M8X38X14X20	
13	31241084		SELFLOCK NUT M8 6S	
14	56157424H		GEARS SELECTOR	
14	56157432H		SPEED SELECTOR	WS
15	59056975		SUPPORT	
15	59056989		SUPPORT	600M
16	56157429N		CONTRASTO LEVA INVERTITORE MF	
17	55142076		KNOB	600M
18	31100451		SCREW 3,5X25	
19	55157213		GRIP	
20	55157212		GRIP	
21	58057247		SPRING	
22	59057240		LEVER	
23	56157246		STOP	
24	34211029		ROLL PIN	
25	52357250		PIN	
26	34213020		ROLL PIN	



Pos.	Id	Q.ty	Description	Note
27	56157256		PTO LEVER	
28	56149655		PULL ROD	600M
28	56157367		ROD	





600 serie MAX

COMANDI SUL MANUBRIO★
(620M-630M)

HANDLEBAR CONTROLS
CONTROLES EN EL MANILLAR

CONTROLES SUR LE MANCHERON
KONTROLLEN AM LINCHER

DALLA MACCHINA
DE LA MAQUINA
FROM THE MACHINE
AB DER MASCHINE

★ N.

867450

J05 0

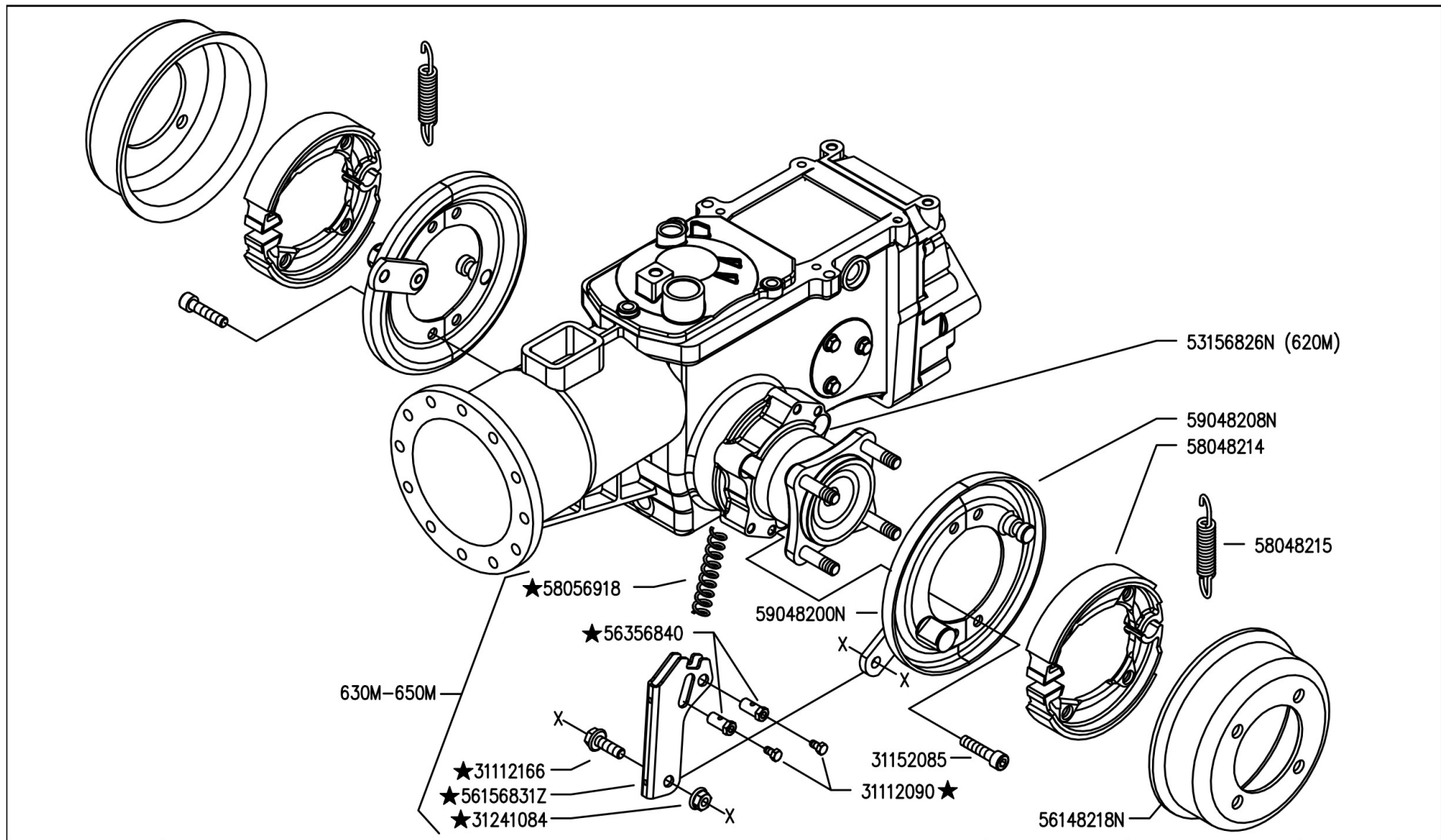
11/2010


Rev. 0
DITE BCS - Scala 1:5



Pos.	Id	Q.ty	Description	Note
31100451	31100451	1	SCREW 3,5X25	
31112090	31112090	1	SCREW TE M6X16 UNI 5739 8G	
31121020	31121020	1	SCREW TBCEI M8X40 ISO7380 10K Z	
31211080	31211080	1	NUT M8	
31241084	31241084	1	SELFLOCK NUT M8 6S	
34213020	34213020	1	ROLL PIN	
53156860	53156860	1	COMMAND LEVER	
55157212	55157212	1	GRIP	
55157213	55157213	1	GRIP	
55157214	55157214	1	GRIP	
55157215	55157215	1	GRIP	
55256757	55256757	1	PULLEY	
56148287	56148287	1	STUD BOLT	
58049670	58049670	1	LINE AND SHEATH (L=1080)	
58049830	58049830	1	SPRING	
58056595	58056595	1	ADJUSTING SCREW M8	
58056843	58056843	1	LINE AND SHEATH L=980	
58056848	58056848	1	LINE AND SHEATH L=930	
58057220	58057220	1	LINE AND SHEATH L=880	
59256850	59256850	1	SUPPORT	
59257217	59257217	1	SC.LEVA FRENO MF /2010 CON P.I	
52156810Z	52156810Z	1	COMMAND LEVER	
56156832Z	56156832Z	1	U BOLT	
56156859Z	56156859Z	1	FORK	
56356833Z	56356833Z	1	SMALL PLATE	
56356840Z	56356840Z	1	CLAMPING SCREW	
56356858Z	56356858Z	1	PIN	





	600 serie MAX	BRAKES FRENOS	FRENI (620M★-630M-650M)	FREINS BREMSEN	DALLA MACCHINA DE LA MAQUINA FROM THE MACHINE AB DER MASCHINE	_____	K01	Rev. 1
						★N.		

DITE.BCS - Scala 1:4

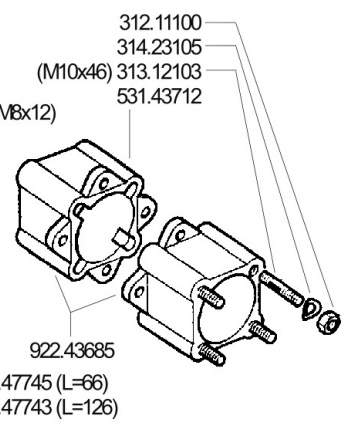
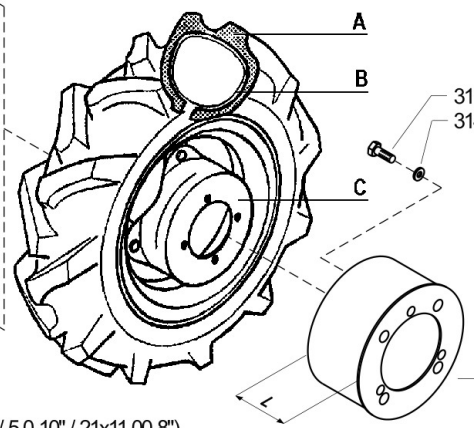
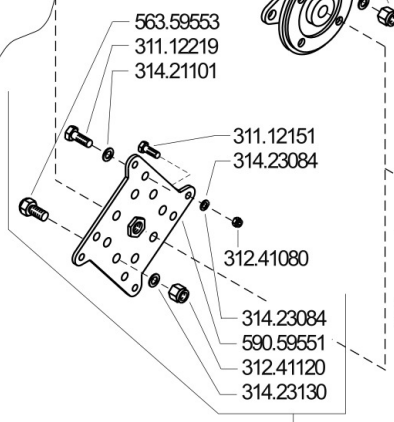
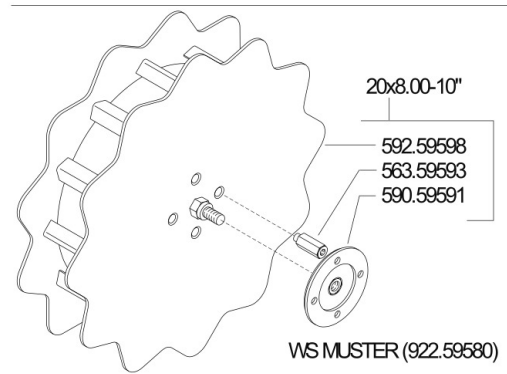
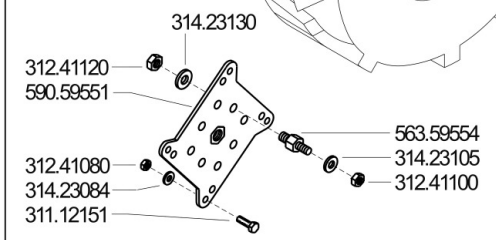
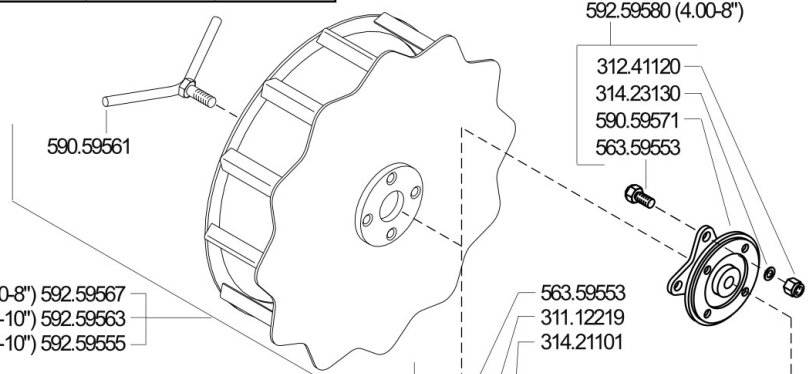
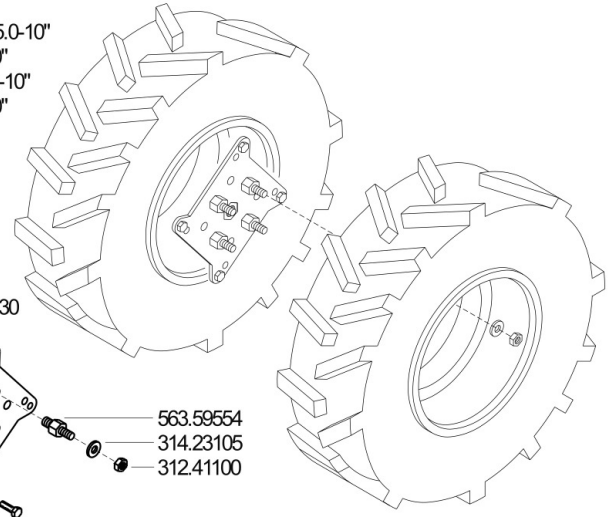


Pos.	Id	Q.ty	Description	Note
31112090	31112090	1	SCREW TE M6X16 UNI 5739 8G	
31112166	31112166	1	SCREW TE C/F M8X25 DIN 6921 8G	
31152085	31152085	1	SCREW TCEI M8X25 UNI 5931	
31241084	31241084	1	SELFLOCK NUT M8 6S	
56356840	56356840	1	CLAMPING SCREW	
58048214	58048214	1	BRAKE BLOCK	
58048215	58048215	1	SPRING	
58056918	58056918	1	SPRING	
53156826N	53156826N		FLANGE	
56148218N	56148218N	1	BRAKE DRUM	
56156831Z	56156831Z	1	FORK	
59048200N	59048200N	1	HALF DISC	
59048208N	59048208N	1	HALF DISC	



	A	B	C
3.50 - 8" (600)	391.13502	394.13502	580.43370
3.50 - 8"	391.13502	394.13502	580.43250
4.00 - 8"	391.14008	394.14008	580.43250
4.0 - 10"	391.14010	394.14010	580.48330
5.0 - 10"	391.15010	394.15010	580.48330
6.5 / 80 - 12"	391.16018	394.16018	580.44804
21 x 11.00 - 8"	391.13501	TUBELESS	580.57795
20 x 8.00 - 10"	391.18021 (TR)	394.16025	580.57799
20 x 8.00 - 10"	391.18020 (GA)	394.15010	580.57799

922.57794
 KIT GEMELLAGGIO PER 4.0-10" / 5.0-10"
 TWINNING KIT FOR 4.0-10" / 5.0-10"
 JUMELAGE KIT POUR 4.0-10" / 5.0-10"
 KIT GEMELOS POR 4.0-10" / 5.0-10"
 ZWILLINGSKIT 4.0-10" / 5.0-10"



	600 serie MAX	RUOTE WHEELS RUEDAS	DALLA MACCHINA DE LA MAQUINA DE LA MACHINE FROM THE MACHINE AB DER MASCHINE	_____	L01	Rev. 0
				N.		



Pos.	Id	Q.ty	Description	Note
31112149	31112149	1	SCREW TE M8X12 UNI 5739 8G	
31112151	31112151	1	SCREW TE M8X25 UNI 5739 8G	
31112219	31112219	1	SCREW TE M10X25 UNI 5739	
31211100	31211100	1	NUT M10	
31241080	31241080	1	HEXAGON SELFLOCK NUT M8	
31241100	31241100	1	SELFLOCK HEXAGON NUT M10	
31241120	31241120	1	SELFLOCK NUT M12	
31312103	31312103	1	STUD BOLT M10X46X24X16	
31421101	31421101	1	WASHER 10 DIN 679	
31423084	31423084	1	SPRING WASHER 8,4	
31423105	31423105	1	SPRING WASHER 10,5	
31423130	31423130	1	SPRING WASHER EL 13 DIN 137-B	
39113501	39113501	1	TYRE 21X11.00-8	
39113502	39113502	1	TYRE 3.50-8 2PR	
39114008	39114008	1	TYRE 4.00-8 2PR	
39114010	39114010	1	TYRE 4.0-10 2PR	
39115010	39115010	1	TYRE 5.00-10 2PR	
39116018	39116018	1	TYRE 6.5/80-12 2PR	
39118020	39118020	1	TYRE 20X8.00-10 4PR	
39118021	39118021	1	COVER 20x8.00-10 FLAT-TR	
39413502	39413502	1	INNER TUBE X 3.50-8	
39414008	39414008	1	INNER TUBE X 4.00-8	
39414010	39414010	1	INNER TUBE x 4.0-10	
39415010	39415010	1	INNER TUBE X 4.0/5.0-10	
39416018	39416018	1	INNER TUBE X 6-5/80-12	
39416025	39416025	1	INNER TUBE X 20X8.00-10 TR	
53143712	53143712	1	SPACER	
56359553	56359553	1	PIN	
56359554	56359554	1	PIN	

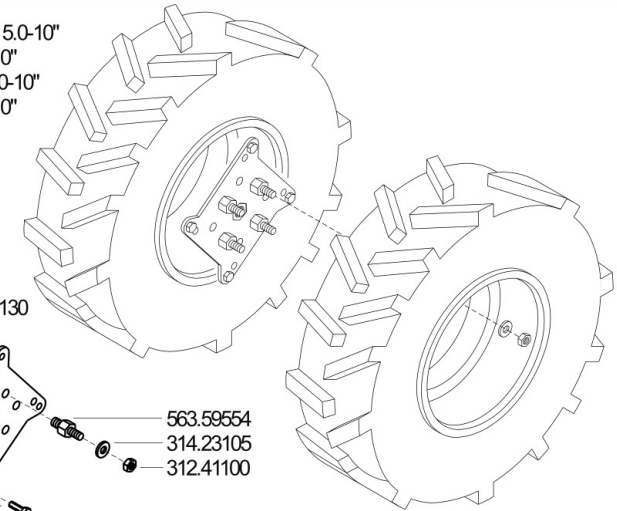


Pos.	Id	Q.ty	Description	Note
56359593	56359593	1	DRIVING PIN	
58043250	58043250	1	RIM 2.50-8	
58043370	58043370	1	RIM 2.50-8	
58044804	58044804	1	RIM 5JA12	
58048330	58048330	1	RIM 3.50D10 CR	
58057795	58057795	1	RIM 8.50-8	
58057799	58057799	1	RIM 6.00I-10	
59047743	59047743	1	HUBCOVER	
59047745	59047745	1	HUBCOVER	
59059551	59059551	1	FLANGE	
59059561	59059561	1	SCREW	
59059571	59059571	1	FLANGE	
59059591	59059591	1	SPACER	
59259555	59259555	1	SUPER-BITE WHEEL X 5.00-10	
59259563	59259563	1	WHEEL	
59259567	59259567	1	WHEEL	
59259578	59259578	1	FLANGE KIT	
59259580	59259580	1	FLANGE KIT	
59259598	59259598	1	WHEEL	
92243685	92243685	1	WHEEL SPACERS CM 6 (PAIR)	
92257794	92257794	1	ADAPTER PLATES FOR WHEELS (PAIR)	
92259580	92259580	1	RUOTE SUPER-BITE 20X8.0-10 (COPPIA)	



	A	B	C
3.50 - 8" (600)	39113502	39413502	58043370
3.50 - 8"	39113502	39413502	58043250
4.00 - 8"	39114008	39414008	58043250
4.0 - 10"	39114010	39414010	58048330
5.0 - 10"	39115010	39415010	58048330
6.5 / 80 - 12"	39116018	39416018	58044804
21 x 11.00 - 8"	39113501	TUBELESS	58057795
20 x 8.00 - 10"	39118021 (TR)	39416025	58057799
20 x 8.00 - 10"	39118020 (GA)	39415010	58057797 (WS MUSTER)
16x6.50-8"	39111608	39411608	58057839

922.57794
 KIT GIVELLAGGIO PER 4.0-10" / 5.0-10"
 TWINNING KIT FOR 4.0-10" / 5.0-10"
 JUMELAGE KIT POUR 4.0-10" / 5.0-10"
 KIT GIVELLOS POR 4.0-10" / 5.0-10"
 ZWILLINGSKIT 4.0-10" / 5.0-10"



(4.00-8") 592.59567
 (4.0-10") 592.59563
 (5.0-10") 592.59555

590.59561

592.59580 (4.00-8")

312.41120
 314.23130
 590.59571
 563.59553

312.41120
 590.59551

563.59554
 314.23105
 312.41100

312.41080
 314.23084
 311.12151

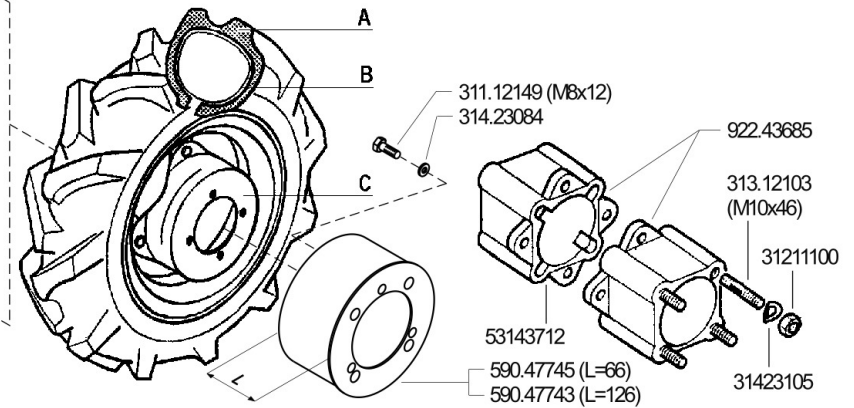
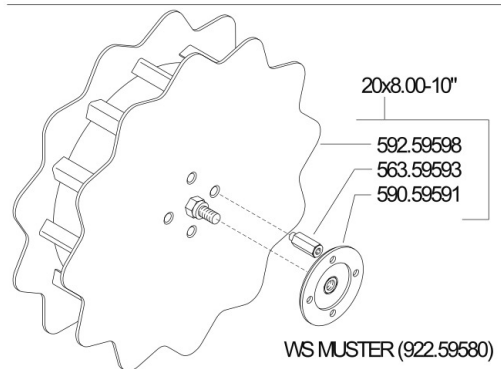
563.59553
 311.12219
 314.21101

311.12151
 314.23084

312.41080

314.23084
 590.59551
 312.41120
 314.23130

592.59578
 (4.0-10" / 5.0-10" / 21x11.00-8")



600 serie MAX

WHEELS
 RUEDAS

RUOTE

ROUES
 RÄDER

DALLA MACCHINA
 DE LA MAQUINA
 DE LA MACHINE
 FROM THE MACHINE
 AB DER MASCHINE

ERRATA CORRIGE

L01

Rev. 1

10/2004

ZEN



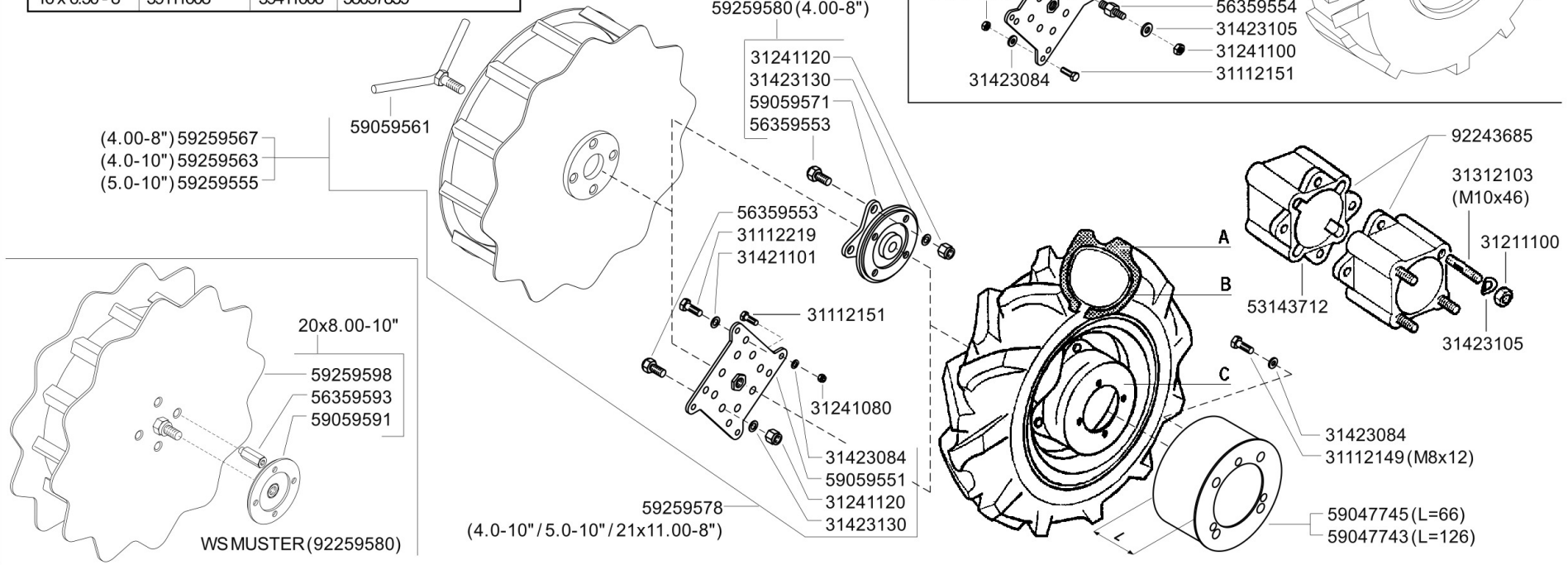
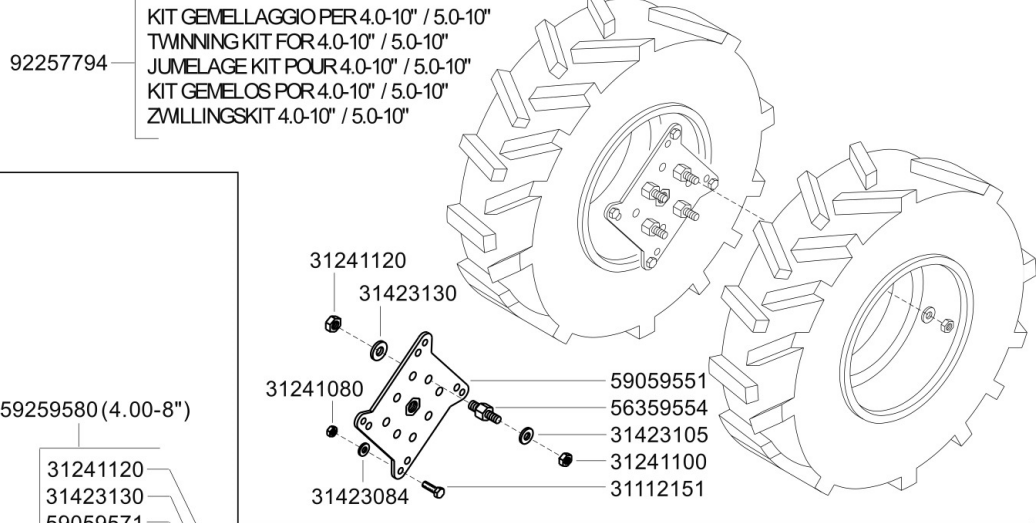
Pos.	Id	Q.ty	Description	Note
31112149	31112149		SCREW TE M8X12 UNI 5739 8G	
31112151	31112151		SCREW TE M8X25 UNI 5739 8G	
31112219	31112219		SCREW TE M10X25 UNI 5739	
31211100	31211100		NUT M10	
31241080	31241080		HEXAGON SELFLOCK NUT M8	
31241100	31241100		SELFLOCK HEXAGON NUT M10	
31241120	31241120		SELFLOCK NUT M12	
31312103	31312103		STUD BOLT M10X46X24X16	
31421101	31421101		WASHER 10 DIN 679	
31423084	31423084		SPRING WASHER 8,4	
31423105	31423105		SPRING WASHER 10,5	
31423130	31423130		SPRING WASHER EL 13 DIN 137-B	
39111608	39111608	1	TYRE 16X6.50-8 4PR	
39113501	39113501		TYRE 21X11.00-8	
39113502	39113502		TYRE 3.50-8 2PR	
39114008	39114008		TYRE 4.00-8 2PR	
39114010	39114010		TYRE 4.0-10 2PR	
39115010	39115010		TYRE 5.00-10 2PR	
39116018	39116018		TYRE 6.5/80-12 2PR	
39118020	39118020		TYRE 20X8.00-10 4PR	
39118021	39118021		COVER 20x8.00-10 FLAT-TR	
39411608	39411608	1	INNER TUBE PER 16-6.50-8	
39413502	39413502		INNER TUBE X 3.50-8	
39414008	39414008		INNER TUBE X 4.00-8	
39414010	39414010		INNER TUBE x 4.0-10	
39415010	39415010		INNER TUBE X 4.0/5.0-10	
39416018	39416018		INNER TUBE X 6-5/80-12	
39416025	39416025		INNER TUBE X 20X8.00-10 TR	
53143712	53143712		SPACER	



Pos.	Id	Q.ty	Description	Note
56359553	56359553		PIN	
56359554	56359554		PIN	
56359593	56359593		DRIVING PIN	
58043250	58043250		RIM 2.50-8	
58043370	58043370		RIM 2.50-8	
58044804	58044804		RIM 5JA12	
58048330	58048330		RIM 3.50D10 CR	
58057795	58057795		RIM 8.50-8	
58057797	58057797	1	RIM 6.00I-10 MUSTER	
58057799	58057799		RIM 6.00I-10	
58057839	58057839	1	RIM 5.25X8	
59047743	59047743		HUBCOVER	
59047745	59047745		HUBCOVER	
59059551	59059551		FLANGE	
59059561	59059561		SCREW	
59059571	59059571		FLANGE	
59059591	59059591		SPACER	
59259555	59259555		SUPER-BITE WHEEL X 5.00-10	
59259563	59259563		WHEEL	
59259567	59259567		WHEEL	
59259578	59259578		FLANGE KIT	
59259580	59259580		FLANGE KIT	
59259598	59259598		WHEEL	
92243685	92243685		WHEEL SPACERS CM 6 (PAIR)	
92257794	92257794		ADAPTER PLATES FOR WHEELS (PAIR)	
92259580	92259580		RUOTE SUPER-BITE 20X8.0-10 (COPPIA)	



	A	B	C
3.50 - 8" (600)	39113502	39413502	58043370
3.50 - 8"	39113502	39413502	58043250
4.00 - 8"	39114008	39414008	58043250
4.0 - 10"	39114010	39414010	58048330
4.0 - 10"	39114010	39414010	58057789 (FIX)
5.0 - 10"	39115010	39415010	58048330
5.0 - 10"	39115010	39415010	58057789 (FIX)
6.5 / 80 - 12"	39116018	39416018	58044804
21 x 11.00 - 8"	39113501	TUBELESS	58057795
20 x 8.00 - 10"	39118021 (TR)	39416025	58057799
20 x 8.00 - 10"	39118020 (GA)	39415010	58057797 (WS MUSTER)
16 x 6.50 - 8"	39111608	39411608	58057839



	600 serie MAX	RUOTE WHEELS RUEDAS ROUES RÄDER	DALLA MACCHINA DE LA MAQUINA DE LA MACHINE FROM THE MACHINE AB DER MASCHINE	AGGIORNAMENTO REVISION MISE A JOUR APLAZAMIENTO ANPASSUNG	Rev. 2 L01 01/2008
			O.N.		



Pos.	Id	Q.ty	Description	Note
31112149	31112149	1	SCREW TE M8X12 UNI 5739 8G	
31112151	31112151	1	SCREW TE M8X25 UNI 5739 8G	
31112219	31112219	1	SCREW TE M10X25 UNI 5739	
31211100	31211100	1	NUT M10	
31241080	31241080	1	HEXAGON SELFLOCK NUT M8	
31241100	31241100	1	SELFLOCK HEXAGON NUT M10	
31241120	31241120	1	SELFLOCK NUT M12	
31312103	31312103	1	STUD BOLT M10X46X24X16	
31421101	31421101	1	WASHER 10 DIN 679	
31423084	31423084	1	SPRING WASHER 8,4	
31423105	31423105	1	SPRING WASHER 10,5	
31423130	31423130	1	SPRING WASHER EL 13 DIN 137-B	
39111608	39111608	1	TYRE 16X6.50-8 4PR	
39113501	39113501	1	TYRE 21X11.00-8	
39113502	39113502	1	TYRE 3.50-8 2PR	
39114008	39114008	1	TYRE 4.00-8 2PR	
39114010	39114010	1	TYRE 4.0-10 2PR	
39115010	39115010	1	TYRE 5.00-10 2PR	
39116018	39116018	1	TYRE 6.5/80-12 2PR	
39118020	39118020	1	TYRE 20X8.00-10 4PR	
39118021	39118021	1	COVER 20x8.00-10 FLAT-TR	
39411608	39411608	1	INNER TUBE PER 16-6.50-8	
39413502	39413502	1	INNER TUBE X 3.50-8	
39414008	39414008	1	INNER TUBE X 4.00-8	
39414010	39414010	1	INNER TUBE x 4.0-10	
39415010	39415010	1	INNER TUBE X 4.0/5.0-10	
39416018	39416018	1	INNER TUBE X 6-5/80-12	
39416025	39416025	1	INNER TUBE X 20X8.00-10 TR	
53143712	53143712	1	SPACER	



Pos.	Id	Q.ty	Description	Note
56359553	56359553	1	PIN	
56359554	56359554	1	PIN	
56359593	56359593	1	DRIVING PIN	
58043250	58043250	1	RIM 2.50-8	
58043370	58043370	1	RIM 2.50-8	
58044804	58044804	1	RIM 5JA12	
58048330	58048330	1	RIM 3.50D10 CR	
58057789	58057789	1	RIM 3.50-10 WS2	
58057795	58057795	1	RIM 8.50-8	
58057797	58057797	1	RIM 6.00I-10 MUSTER	
58057799	58057799	1	RIM 6.00I-10	
58057839	58057839	1	RIM 5.25X8	
59047743	59047743	1	HUBCOVER	
59047745	59047745	1	HUBCOVER	
59059551	59059551	1	FLANGE	
59059561	59059561	1	SCREW	
59059571	59059571	1	FLANGE	
59059591	59059591	1	SPACER	
59259555	59259555	1	SUPER-BITE WHEEL X 5.00-10	
59259563	59259563	1	WHEEL	
59259567	59259567	1	WHEEL	
59259578	59259578	1	FLANGE KIT	
59259580	59259580	1	FLANGE KIT	
59259598	59259598	1	WHEEL	
92243685	92243685	1	WHEEL SPACERS CM 6 (PAIR)	
92257794	92257794	1	ADAPTER PLATES FOR WHEELS (PAIR)	
92259580	92259580	1	RUOTE SUPER-BITE 20X8.0-10 (COPPIA)	



600 MAX

58057642 0

615 MAX

58057627

615L MAX

58057628

615S MAX

58057629

650 MAX

58057630

620 MAX

58057631

630 MAX

58057632

WS MUSTER

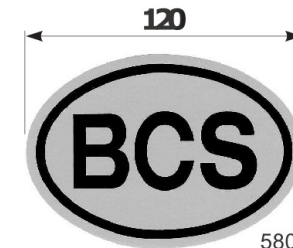
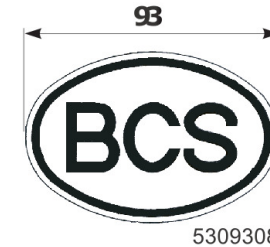
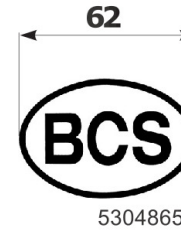
58057749

630WS MAX

58057633

KIT REF.

- 58157634 (626 REF.)
- 58157635 (636L REF.)
- 58157636 (616 REF.)



600 serie **MAX**

STICKERS
ADHESIVOS

ADESIVI

AUTOCOLLANTS
AUFKLEBES

DALLA MACCHINA
DE LA MAQUINA
DE LA MACHINE
FROM THE MACHINE
AB DER MASCHINE

ON.

AGGIORNAMENTO
REVISION
MISE A JOUR
APLAZAMIENTO
ANPASSUNG

M01	Rev. 1
	06/2006

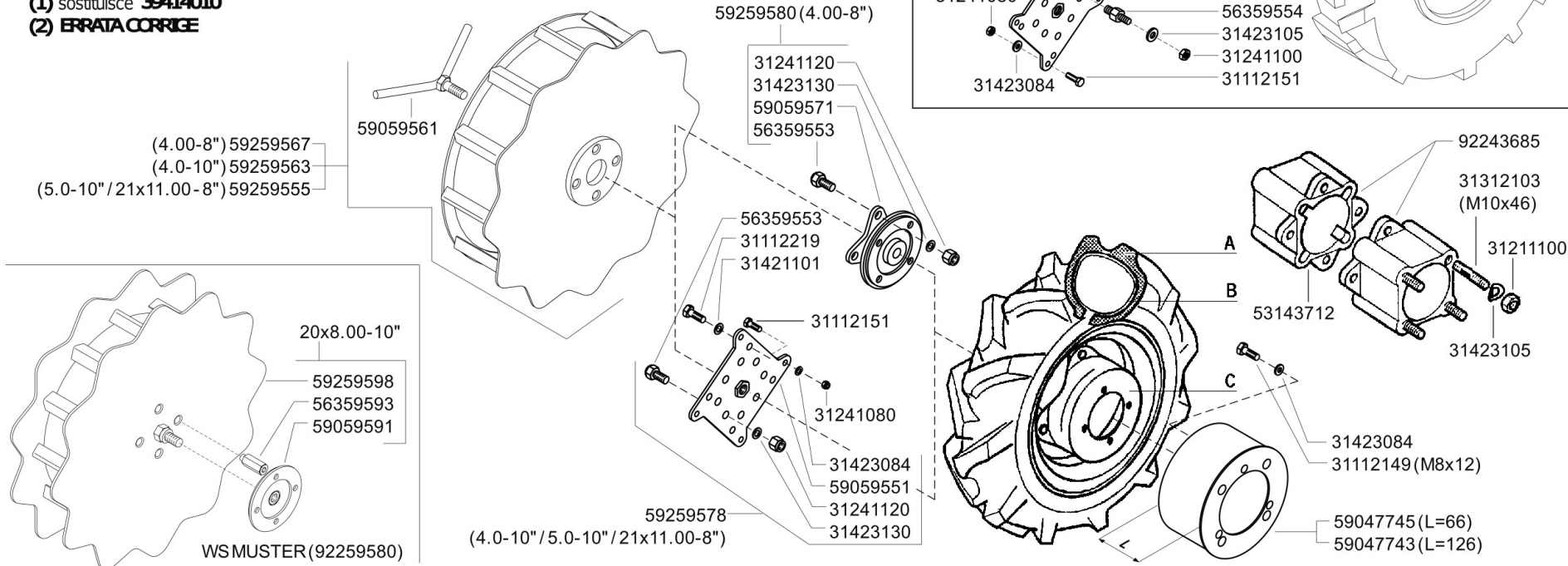
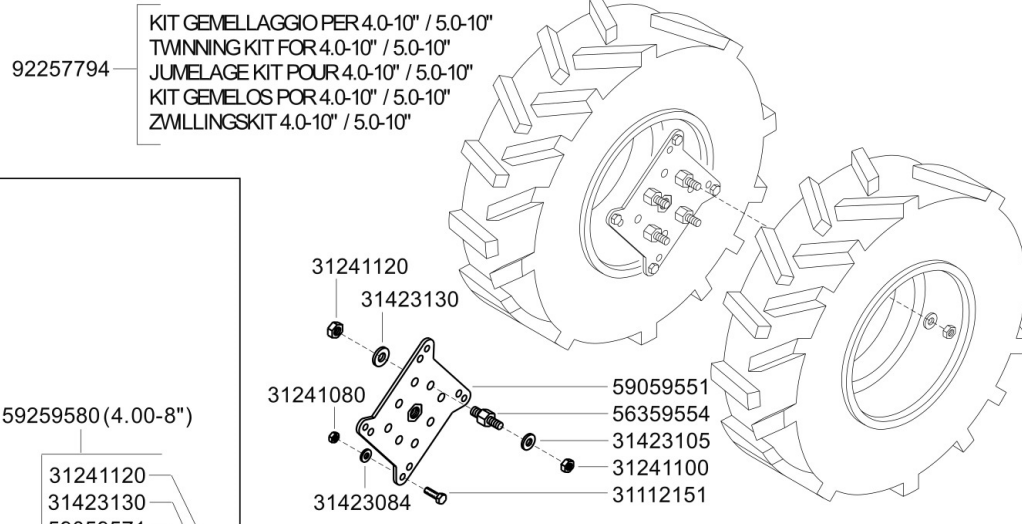


Pos.	Id	Q.ty	Description	Note
53048656	53048656	1	OVAL LOGO	
53093088	53093088	1	OVAL LOGO	
58057627	58057627	1	DECAL 615 MAX	
58057628	58057628	1	DECAL 615 L MAX	
58057629	58057629	1	DECAL 615 S MAX	
58057630	58057630	1	DECAL 650 MAX	
58057631	58057631	1	DECAL 620 MAX	
58057632	58057632	1	DECAL 630 MAX	
58057633	58057633	1	DECAL 630WS MAX	
58057642	58057642	1	DECAL 600 MAX	
58057680	58057680	1	DECAL	
58057749	58057749	1	DECAL WS MUSTER	
58059211	58059211	1	DECAL BCS	
58157634	58157634	1	STICKERS REFORM 620 MAX	
58157635	58157635	1	STICKERS REFORM 631L MAX	
58157636	58157636	1	SET OF REFORM STICKERS 616 MAX	



	A	B	C
3.50 - 8" (600)	39113502	39413502	58043370
3.50 - 8"	39113502	39413502	58043250
4.00 - 8"	39114008	39414008	58043250
4.0 - 10"	39114010	39415010 O(1)	58048330
5.0 - 10"	39115010	39415010	58048330
6.5 / 80 - 12"	39116018	39416018	58044804
21 x 11.00 - 8"	39113501	TUBELESS	58057795
20 x 8.00 - 10"	39118021 (TR)	39416025	58057799
20 x 8.00 - 10"	39118020 (GA)	39415010	58057797 (WS MUSTER)
16 x 6.50 - 8"	3911665 O(2)	39411608	58057839

(1) sostituisce **39414010**
(2) **ERRATA CORRIGE**



	600 serie MAX	WHEELS RUEDAS	RUOTE	ROUES RÄDER	DALLA MACCHINA DE LA MAQUINA DE LA MACHINE FROM THE MACHINE AB DER MASCHINE	AGGIORNAMENTO REVISION MISE A JOUR APLAZAMIENTO ANPASSUNG	L01	Rev. 3
					O.N.	06/2010		



Pos.	Id	Q.ty	Description	Note
31112149	31112149	1	SCREW TE M8X12 UNI 5739 8G	
31112151	31112151	1	SCREW TE M8X25 UNI 5739 8G	
31112219	31112219	1	SCREW TE M10X25 UNI 5739	
31211100	31211100	1	NUT M10	
31241080	31241080	1	HEXAGON SELFLOCK NUT M8	
31241100	31241100	1	SELFLOCK HEXAGON NUT M10	
31241120	31241120	1	SELFLOCK NUT M12	
31312103	31312103	1	STUD BOLT M10X46X24X16	
31421101	31421101	1	WASHER 10 DIN 679	
31423084	31423084	1	SPRING WASHER 8,4	
31423105	31423105	1	SPRING WASHER 10,5	
31423130	31423130	1	SPRING WASHER EL 13 DIN 137-B	
39111665	39111665	1	TYRE 16X6.50-8 4PR	
39113501	39113501	1	TYRE 21X11.00-8	
39113502	39113502	1	TYRE 3.50-8 2PR	
39114008	39114008	1	TYRE 4.00-8 2PR	
39114010	39114010	1	TYRE 4.0-10 2PR	
39115010	39115010	1	TYRE 5.00-10 2PR	
39116018	39116018	1	TYRE 6.5/80-12 2PR	
39118020	39118020	1	TYRE 20X8.00-10 4PR	
39118021	39118021	1	COVER 20x8.00-10 FLAT-TR	
39411608	39411608	1	INNER TUBE PER 16-6.50-8	
39413502	39413502	1	INNER TUBE X 3.50-8	
39414008	39414008	1	INNER TUBE X 4.00-8	
39415010	39415010	1	INNER TUBE X 4.0/5.0-10	
39416018	39416018	1	INNER TUBE X 6-5/80-12	
39416025	39416025	1	INNER TUBE X 20X8.00-10 TR	
53143712	53143712	1	SPACER	
56359553	56359553	1	PIN	



Pos.	Id	Q.ty	Description	Note
56359554	56359554	1	PIN	
56359593	56359593	1	DRIVING PIN	
58043250	58043250	1	RIM 2.50-8	
58043370	58043370	1	RIM 2.50-8	
58044804	58044804	1	RIM 5JA12	
58048330	58048330	1	RIM 3.50D10 CR	
58057789	58057789	1	RIM 3.50-10 WS2	
58057795	58057795	1	RIM 8.50-8	
58057797	58057797	1	RIM 6.00I-10 MUSTER	
58057799	58057799	1	RIM 6.00I-10	
58057839	58057839	1	RIM 5.25X8	
59047743	59047743	1	HUBCOVER	
59047745	59047745	1	HUBCOVER	
59059551	59059551	1	FLANGE	
59059561	59059561	1	SCREW	
59059571	59059571	1	FLANGE	
59059591	59059591	1	SPACER	
59259555	59259555	1	SUPER-BITE WHEEL X 5.00-10	
59259563	59259563	1	WHEEL	
59259567	59259567	1	WHEEL	
59259578	59259578	1	FLANGE KIT	
59259580	59259580	1	FLANGE KIT	
59259598	59259598	1	WHEEL	
92243685	92243685	1	WHEEL SPACERS CM 6 (PAIR)	
92257794	92257794	1	ADAPTER PLATES FOR WHEELS (PAIR)	
92259580	92259580	1	RUOTE SUPER-BITE 20X8.0-10 (COPPIA)	



600 MAX 58057642

615 MAX 58057627

615L MAX 58057628

615S MAX 58057629

615SL MAX 58057453 0

650 MAX 58057630

620 MAX 58057631

630 MAX 58057632

WS MUSTER 58057749

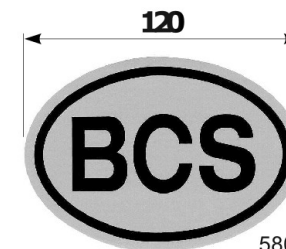
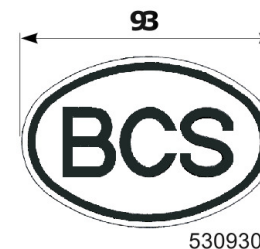
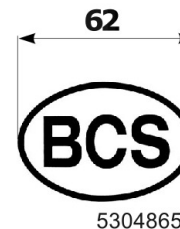
630WS MAX 58057633

KIT REF.

58157634 (626 REF.)
58157635 (636L REF.)
58157636 (616 REF.)



58057680



600 serie **MAX**

STICKERS
ADHESIVOS

ADESIVI

AUTOCOLLANTS
AUFKLEBES

DALLA MACCHINA
DE LA MAQUINA
DE LA MACHINE
FROM THE MACHINE
AB DER MASCHINE

ON.

AGGIORNAMENTO
REVISION
MISE A JOUR
APLAZAMIENTO
ANPASSUNG

M01

01/2009

Rev. **2**

ZENE



Pos.	Id	Q.ty	Description	Note
53048656	53048656	1	OVAL LOGO	
53093088	53093088	1	OVAL LOGO	
58057453	58057453	1	DECAL 615SL MAX	
58057627	58057627	1	DECAL 615 MAX	
58057628	58057628	1	DECAL 615 L MAX	
58057629	58057629	1	DECAL 615 S MAX	
58057630	58057630	1	DECAL 650 MAX	
58057631	58057631	1	DECAL 620 MAX	
58057632	58057632	1	DECAL 630 MAX	
58057633	58057633	1	DECAL 630WS MAX	
58057642	58057642	1	DECAL 600 MAX	
58057680	58057680	1	DECAL	
58057749	58057749	1	DECAL WS MUSTER	
58059211	58059211	1	DECAL BCS	
58157634	58157634	1	STICKERS REFORM 620 MAX	
58157635	58157635	1	STICKERS REFORM 631L MAX	
58157636	58157636	1	SET OF REFORM STICKERS 616 MAX	



615 MAX

580.57627

615L MAX

580.57628

615S MAX

580.57629

650 MAX

580.57630

KIT REF.

- 581.57634 (626 REF.)
- 581.57635 (636L REF.)
- 581.57636 (616 REF.)

620

MAX

580.57631

630

MAX

580.57632

WS

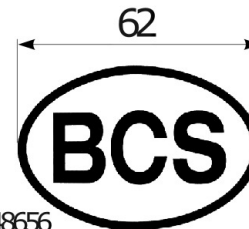
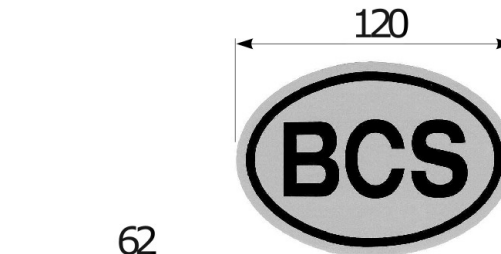
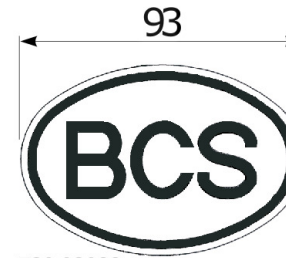
MUSTER

580.57749

630WS

MAX

580.57633



600 serie MAX

STICKERS
ADHESIVOS

ADESIVI

AUTOCOLLANTS
AUFKLEBES

DALLA MACCHINA
DE LA MAQUINA
DE LA MACHINE
FROM THE MACHINE
AB DER MASCHINE

N.

M01 0

09/2004

Rev.

2/11

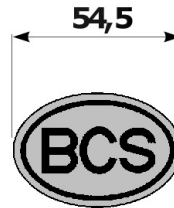


Pos.	Id	Q.ty	Description	Note
53048656	53048656	1	OVAL LOGO	
53093088	53093088	1	OVAL LOGO	
58057627	58057627	1	DECAL 615 MAX	
58057628	58057628	1	DECAL 615 L MAX	
58057629	58057629	1	DECAL 615 S MAX	
58057630	58057630	1	DECAL 650 MAX	
58057631	58057631	1	DECAL 620 MAX	
58057632	58057632	1	DECAL 630 MAX	
58057633	58057633	1	DECAL 630WS MAX	
58057680	58057680	1	DECAL	
58057749	58057749	1	DECAL WS MUSTER	
58059211	58059211	1	DECAL BCS	
58157634	58157634	1	STICKERS REFORM 620 MAX	
58157635	58157635	1	STICKERS REFORM 631L MAX	
58157636	58157636	1	SET OF REFORM STICKERS 616 MAX	



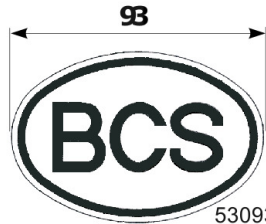
KIT REF.

- 58157634 (626 REF.)
- 58157635 (636L REF.)
- 58157636 (616 REF.)

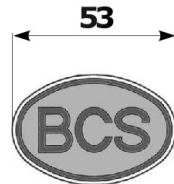


58057643

615 MAX 58058459 0



53093088

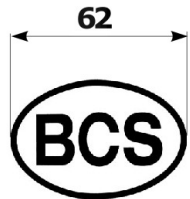


53058450 0

615 L MAX 58058460 0

600 MAX 58057642

615 S MAX 58058461 0



53048656

650 MAX 58057630

615 SL MAX 58058462 0



58057749

620 MAX 58058464 0

630 MAX 58058465 0

630WS MAX 58058466 0



600 serie MAX

ADESIVI

STICKERS
ADHESIVOS

AUTOCOLLANTS
AUFKLEBES

DALLA MACCHINA
DE LA MAQUINA
DE LA MACHINE
FROM THE MACHINE
AB DER MASCHINE

ON.

AGGIORNAMENTO

REVISION

MISE A JOUR

APLAZAMIENTO

ANPASSUNG

M01 3

11/2010

Rev.

3



Pos.	Id	Q.ty	Description	Note
53048656	53048656	1	OVAL LOGO	
53058450	53058450	1	SMALL OVAL LOGO	
53093088	53093088	1	OVAL LOGO	
58057630	58057630	1	DECAL 650 MAX	
58057642	58057642	1	DECAL 600 MAX	
58057643	58057643	1	OVAL LOGO	
58057749	58057749	1	DECAL WS MUSTER	
58058459	58058459	1	DECAL 615 MAX /11	
58058460	58058460	1	DECAL 615L MAX /11	
58058461	58058461	1	DECAL 615S MAX /11	
58058462	58058462	1	DECAL 615SL MAX /11	
58058464	58058464	1	DECAL 620 MAX /11	
58058465	58058465	1	DECAL 630 MAX /11	
58058466	58058466	1	DECAL 630WS MAX /11	
58157634	58157634	1	STICKERS REFORM 620 MAX	
58157635	58157635	1	STICKERS REFORM 631L MAX	
58157636	58157636	1	SET OF REFORM STICKERS 616 MAX	



615 MAX
1

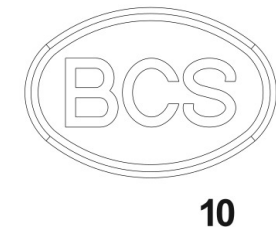
630
MAX
6

615 L MAX
2

630WS
7★

615 S MAX
3

630WS
MAX
8



615 SL MAX
4

620
MAX
5

650 MAX
9★



i = info - stop 2 sec. ★ = new part



Pos.	Id	Q.ty	Description	Note
1	58058459		DECAL 615 MAX /11	
2	58058460		DECAL 615L MAX /11	
3	58058461		DECAL 615S MAX /11	
4	58058462		DECAL 615SL MAX /11	
5	58058464		DECAL 620 MAX /11	
6	58058465		DECAL 630 MAX /11	
7	58058467		DECAL 630WS /11	
8	58058466		DECAL 630WS MAX /11	
9	58058468		DECAL 650 MAX /11	
10	53058450		SMALL OVAL LOGO	



Pos.	Id	Q.ty	Description	Note
58046912	58046912	1	DECAL	
58046932	58046932	1	DECAL	
58057625	58057625	1	DECAL	
58057676	58057676	1	DECAL	
58057698	58057698	1	DECAL	
58057706	58057706	1	DECAL	
58057712	58057712	1	DECAL	
58057722	58057722	1	DECAL	
58057724	58057724	1	DECAL	
58057732	58057732	1	DECAL	
58057746	58057746	1	DECAL	
58057747	58057747	1	DECAL	
58057748	58057748	1	DECAL	
58057767	58057767	1	DECAL	
58057768	58057768	1	DECAL	
58057770	58057770	1	DECAL	
58057771	58057771	1	DECAL	
58057772	58057772	1	DECAL	
58057773	58057773	1	DECAL	
58057774	58057774	1	DECAL	
58093089	58093089	1	DECAL	



	600 serie MAX	ADESMI	DALLA MACCHINA DE LA MAQUINA DE LA MACHINE FROM THE MACHINE AB DER MASCHINE ON.	AGGIORNAMENTO	M02	Rev. 1
				REVISION		
				MISE A JOUR		
				APLAZAMIENTO		
				ANPASSUNG		
STICKERS ADHESIVOS		AUTOCOLLANTS AUFKLEBES		06/2006		

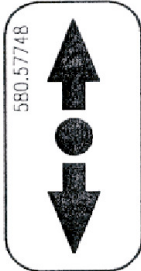
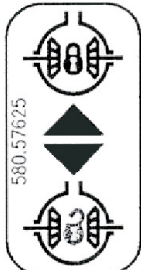
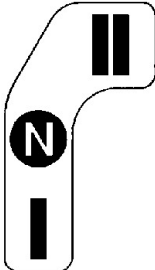

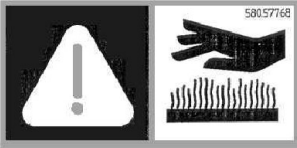
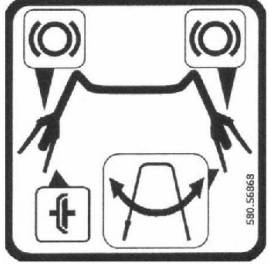
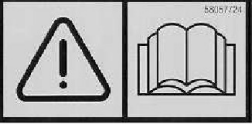


Pos.	Id	Q.ty	Description	Note
58046912	58046912	1	DECAL	
58046932	58046932	1	DECAL	
58057625	58057625	1	DECAL	
58057676	58057676	1	DECAL	
58057678	58057678	1	DECAL	
58057698	58057698	1	DECAL	
58057706	58057706	1	DECAL	
58057712	58057712	1	DECAL	
58057722	58057722	1	DECAL	
58057724	58057724	1	DECAL	
58057732	58057732	1	DECAL	
58057746	58057746	1	DECAL	
58057747	58057747	1	DECAL	
58057748	58057748	1	DECAL	
58057767	58057767	1	DECAL	
58057768	58057768	1	DECAL	
58057770	58057770	1	DECAL	
58057771	58057771	1	DECAL	
58057772	58057772	1	DECAL	
58057773	58057773	1	DECAL	
58057774	58057774	1	DECAL	
58093089	58093089	1	DECAL	



Pos.	Id	Q.ty	Description	Note
58046912	58046912	1	DECAL	
58046932	58046932	1	DECAL	
58057625	58057625	1	DECAL	
58057676	58057676	1	DECAL	
58057678	58057678	1	DECAL	
58057688	58057688	1	DECAL	
58057698	58057698	1	DECAL	
58057706	58057706	1	DECAL	
58057712	58057712	1	DECAL	
58057722	58057722	1	DECAL	
58057724	58057724	1	DECAL	
58057732	58057732	1	DECAL	
58057746	58057746	1	DECAL	
58057747	58057747	1	DECAL	
58057748	58057748	1	DECAL	
58057767	58057767	1	DECAL	
58057768	58057768	1	DECAL	
58057770	58057770	1	DECAL	
58057771	58057771	1	DECAL	
58057772	58057772	1	DECAL	
58057773	58057773	1	DECAL	
58057774	58057774	1	DECAL	
58093089	58093089	1	DECAL	



<div style="display: flex; flex-direction: column; align-items: center;"> <div style="margin-bottom: 10px;">4</div>  <div style="margin-bottom: 10px;">3</div> <div style="margin-bottom: 10px;">N</div> <div style="margin-bottom: 10px;">2</div> <div style="margin-bottom: 10px;">N</div> <div style="margin-bottom: 10px;">1</div> </div>	 <p>58056864</p>	 <p>58057746</p>	 <p>58057747</p>	 <p>58057748</p>	 <p>58057773</p>	 <p>58057774</p>	 <p>58057767</p>		
	 <p>58056867</p>	 <p>58057625</p>	 <p>58057732</p>	<p>ZUM STARTEN</p> <ul style="list-style-type: none"> • KUPPLUNGHEBEL ANHAKEN, (SIEHE) AUFKLEBER AUF DEM LENKHOLM). • GASHEBEL ZUR MITTE EINSTELLEN. • BENZINHAHN OFFNEN (WENN VORHANDEN). • CHOKE SCHLIESSEN (BEI KALTEM MOTOR). <p>DEN FUSS IN DIE RICHTIGE STELLUNG SETZEN.</p>  <p>58046932 (REF.)</p>	 <p>58057771</p>	 <p>58057772</p>	 <p>58057768</p>	 <p>58057770</p>	 <p>58057722</p>
	 <p>58057458</p>	 <p>58093089</p>	 <p>58057676</p>	<p>ZUM STARTEN</p> <ul style="list-style-type: none"> • DEN SEIL AUF DIE STARTSCHEIBE AUFWICKELN (WENN KEIN REVERSIERSTARTER VORHANDEN IST). • DER STARTERGRIF IN ENTSCHLOSSENER WEISE ZIEHEN, BEI DEM ELEKTROSTARTER SCHLÜSSEL DREHEN. • CHOKE DEFNEN. 	 <p>58057772</p>	 <p>58057724</p>			



600 serie MAX

ADESIVI

STICKERS
ADHESIVOS

AUTOCOLLANTS
AUFKLEBES

DALLA MACCHINA
DE LA MAQUINA
DE LA MACHINE
FROM THE MACHINE
AB DER MASCHINE

ON.

867450 (620-630-WS)
863996 (615L-S-SL)
864056 (615)

Rev. **M02** 3

11/2010

ZENE



Pos.	Id	Q.ty	Description	Note
58046932	58046932	1	DECAL	
58056864	58056864	1	DECAL	
58056867	58056867	1	DECAL	
58056868	58056868	1	DECAL	
58057458	58057458	1	DECAL	
58057625	58057625	1	DECAL	
58057676	58057676	1	DECAL	
58057678	58057678	1	DECAL	
58057722	58057722	1	DECAL	
58057724	58057724	1	DECAL	
58057732	58057732	1	DECAL	
58057746	58057746	1	DECAL	
58057747	58057747	1	DECAL	
58057748	58057748	1	DECAL	
58057767	58057767	1	DECAL	
58057768	58057768	1	DECAL	
58057770	58057770	1	DECAL	
58057771	58057771	1	DECAL	
58057772	58057772	1	DECAL	
58057773	58057773	1	DECAL	
58057774	58057774	1	DECAL	
58093089	58093089	1	DECAL	

